

Smart Mini DC UPS

Keep Wi-Fi Power On



MARSRIVA Technology Co., Ltd.

www.marsriva.com



CONTENTS

KP1 Series	01
KP2 Series	04
KP3 Series	08
KP4 Series	11
KP5 Series	14
KP6 Series	17
KP7 Series	20
KP9 Series	23

Smart Mini DC UPS

Keep Wi-Fi Power On

KP1 Series



AC \rightleftharpoons DC
0ms Transfer



Multi-output
4*DC + 1*USB



Overcharge &
Overdischarge Protection



V-0 Flame-retardant
Plastic Enclosure



Honeycomb
Ventilation

FEATURES

- With 4 * DC and 1 * USB output ports, KP1 Series is able to power up multiple devices simultaneously.
- AC to DC 0ms transfer technology keeps your devices working when electricity is ON/OFF shifting.
- With wall-mount slots on the back, KP1 Series can be mounted on wall easily.
- Air cooling system provides maximum heat dissipation, ensuring the long-term stability of UPS.
- V-0 flame retardant product housing secures you and your property.
- 16000mAh high-capacity battery (KP1 Plus, KP1 Ultra) provides longer backup time.
- 30W high-power output (KP1 Pro, KP1 Ultra) provides better compatibility.

TYPICAL APPLICATION SCENARIO

Power up three devices with different voltage

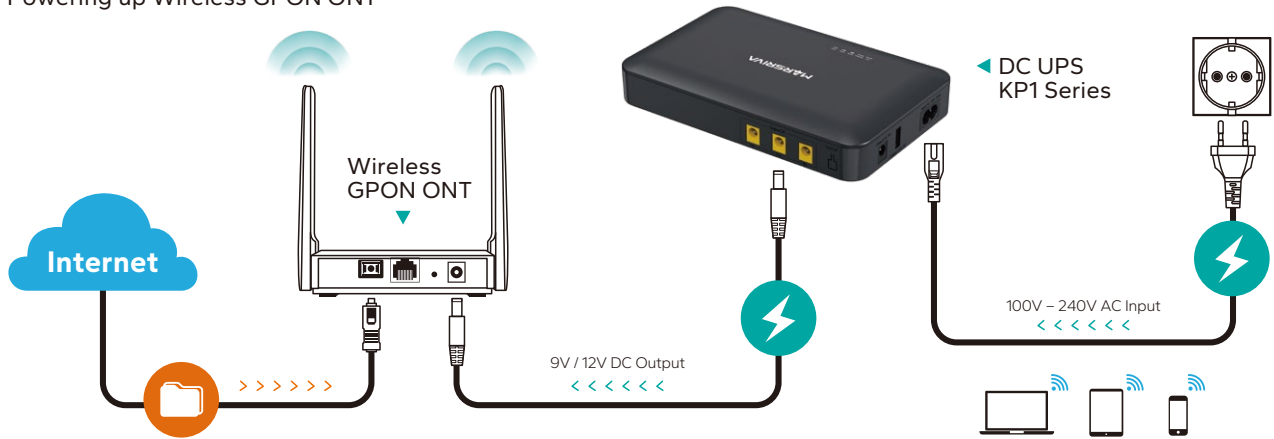


SPECIFICATIONS

Model	KP1 EC	KP1	KP1 Plus	KP1 Pro	KP1 Ultra
Battery Capacity	29.6Wh	36Wh	59.2Wh	29.6Wh	59.2Wh
Battery	Lithium-ion				
	3.7V/ 8000mA (4000mAh*2)	3.6V/10000mA (2500mAh*4)	3.7V/16000mA (4000mAh*4)	3.7V/8000mA (4000mAh*2)	3.7V/16000mA (4000mAh*4)
Input	100 – 240VAC / 50 – 60Hz				
Output	DC1	12V / 1.5A		12V / 2.5A	
	DC2	12V / 1.5A		12V / 2.5A	
	DC3	9V / 2.0A		9V / 2.5A	
	DC4	5V / 2.1A		5V / 2.4A	
	USB	5V / 2.1A		5V / 2.4A	
Total Output	18W (Max.)			30W (Max.)	
Net Weight (g)	336	362	488	356	508
Unit Dimension (mm)	173 * 108 * 31.8 (L*W*H)				
Operate Temperature	UPS Mode	0°C – 40°C			
	Battery Mode	-15°C – 50°C			
Operate Humidity	Less than 75%RH				
Storage	15°C – 35°C, 40 – 75%RH				

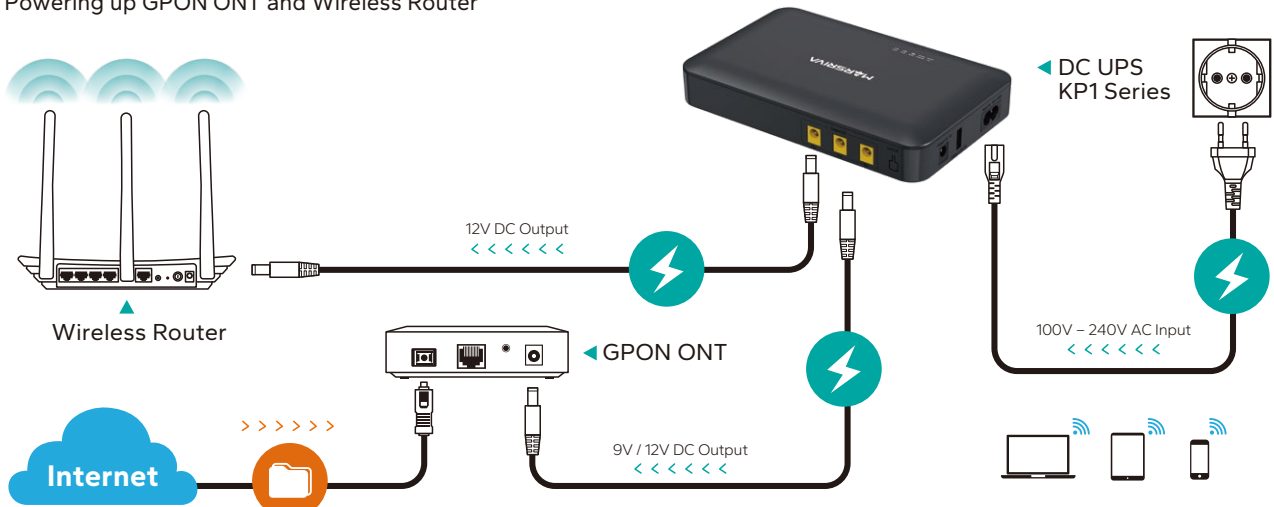
TYPICAL TOPOLOGY 1

Powering up Wireless GPON ONT



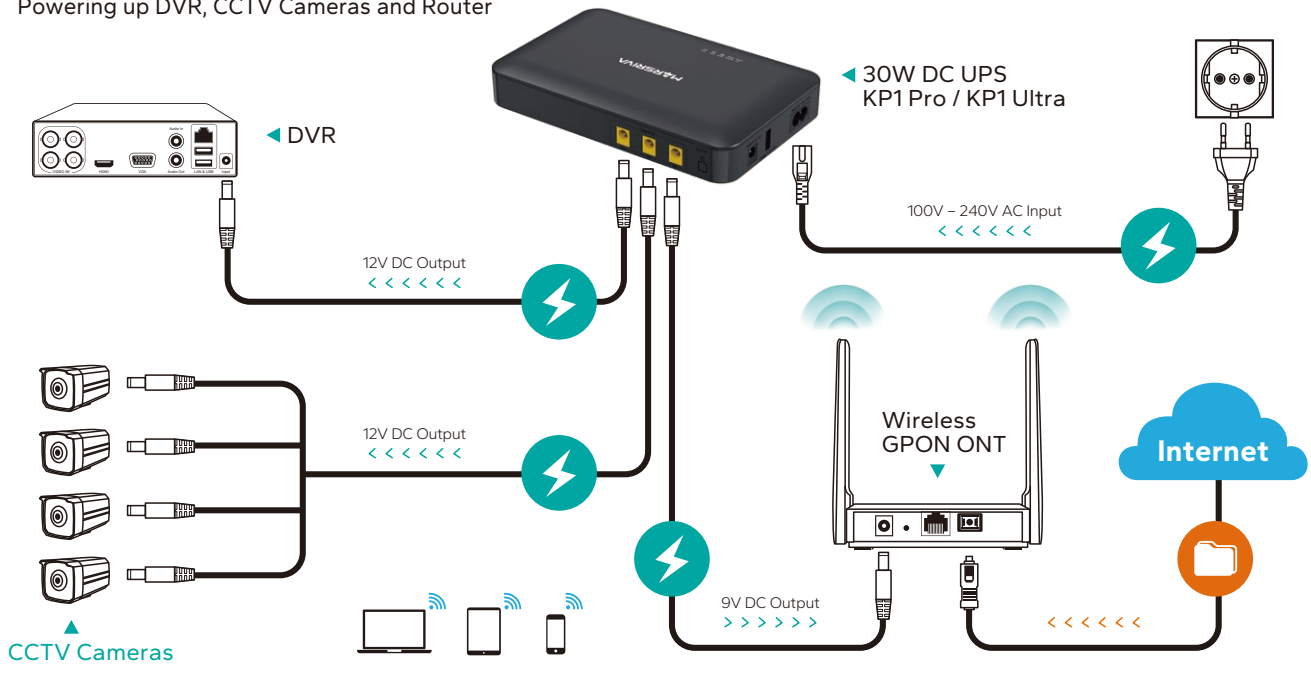
TYPICAL TOPOLOGY 2

Powering up GPON ONT and Wireless Router



TYPICAL TOPOLOGY 3

Powering up DVR, CCTV Cameras and Router



Smart Mini DC UPS

Keep Wi-Fi Power On

KP2 Series



AC \rightleftharpoons DC
0ms Transfer



Passive PoE
Supported



Overcharge &
Overdischarge Protection



V-0 Flame-retardant
Plastic Enclosure



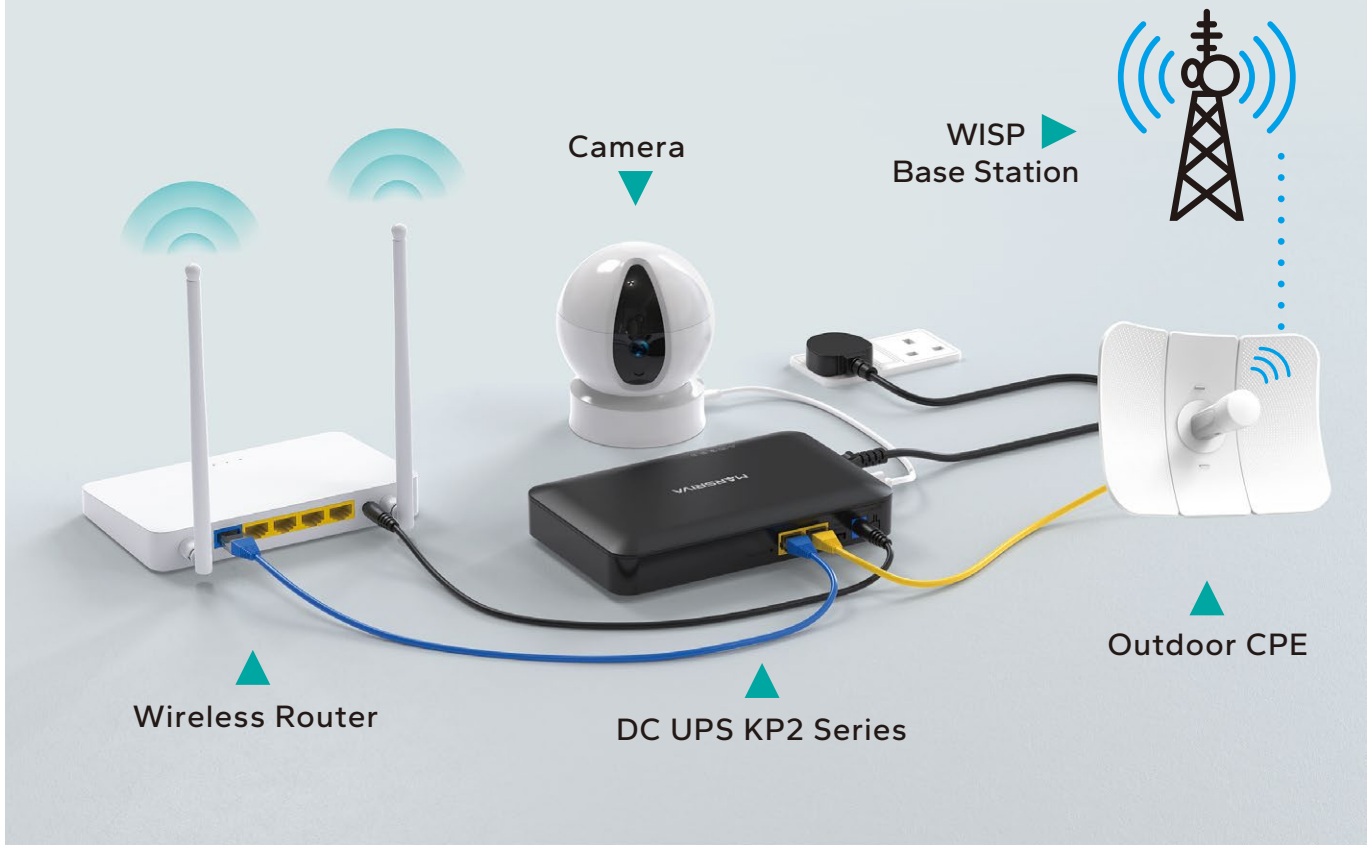
Honeycomb
Ventilation

FEATURES

- With 1 * Passive PoE, 2 * DC and 1 * USB output ports, DC UPS is able to power up multiple devices simultaneously. AC to DC 0ms transfer technology keeps your devices working when electricity is ON/OFF shifting.
- With wall-mount slots on the back, DC UPS can be mounted on wall easily.
- Air cooling system provides maximum heat dissipation, ensuring the long-term stability of UPS.
- V-0 flame retardant product housing secures you and your property.
- 16000mAh high-capacity battery (KP2 Plus, KP2 Ultra) provides longer backup time.
- 30W high-power output (KP2 Pro, KP2 Ultra) provides better compatibility.

TYPICAL APPLICATION SCENARIO

Power up three devices with different voltage

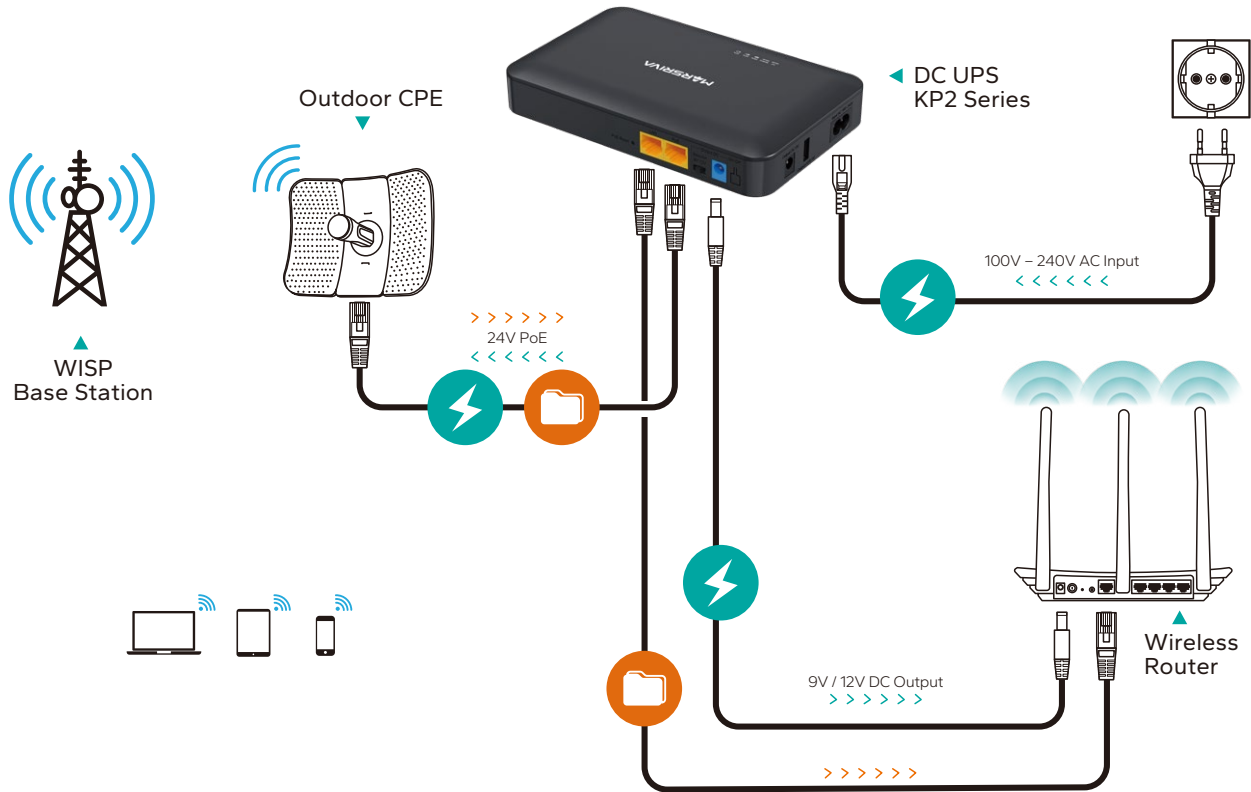


SPECIFICATIONS

Model	KP2 EC	KP2	KP2 Plus	KP2 Pro	KP2 Ultra
Battery Capacity	29.6Wh	36Wh	59.2Wh	29.6Wh	59.2Wh
Battery	Lithium-ion				
	3.7V/ 8000mA (4000mAh*2)	3.6V/10000mA (2500mAh*4)	3.7V/16000mA (4000mAh*4)	3.7V/8000mA (4000mAh*2)	3.7V/16000mA (4000mAh*4)
Input	100 – 240VAC / 50 – 60Hz				
Output	PoE	24V / 0.75A		24V / 1.0A	
	DC1	9V / 2.0A or 12V / 1.5A		9V / 2.5A or 12V / 2.5A	
	DC2	5V / 2.1A		5V / 2.4A	
	USB	5V / 2.1A		5V / 2.4A	
Total Output	18W (Max.)			30W (Max.)	
Net Weight (g)	340	348	490	358	512
Unit Dimension (mm)	173 * 108 * 31.8 (L*W*H)				
Operate Temperature	UPS Mode	0°C – 40°C			
	Battery Mode	-15°C – 50°C			
Operate Humidity	Less than 75%RH				
Storage	15°C – 35°C, 40 – 75%RH				

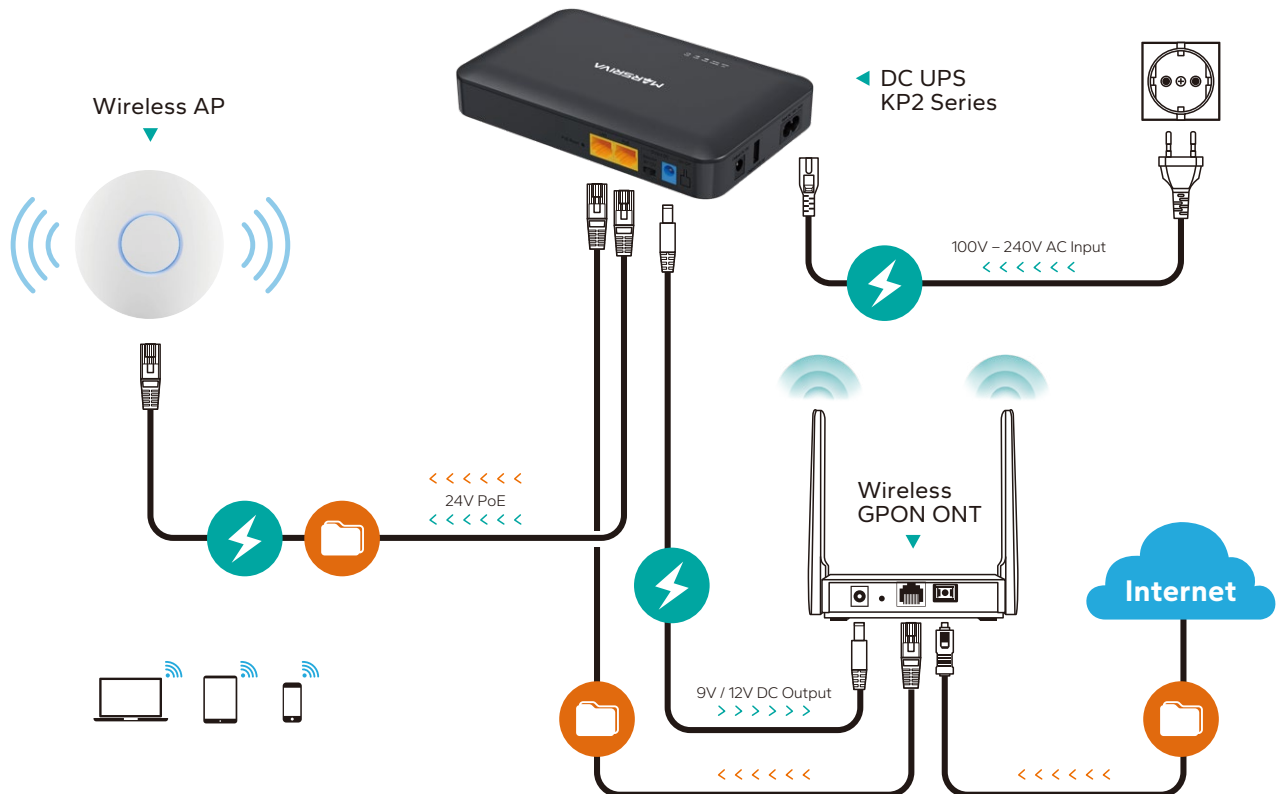
TYPICAL TOPOLOGY 1

Powering up Outdoor CPE and Wireless Router



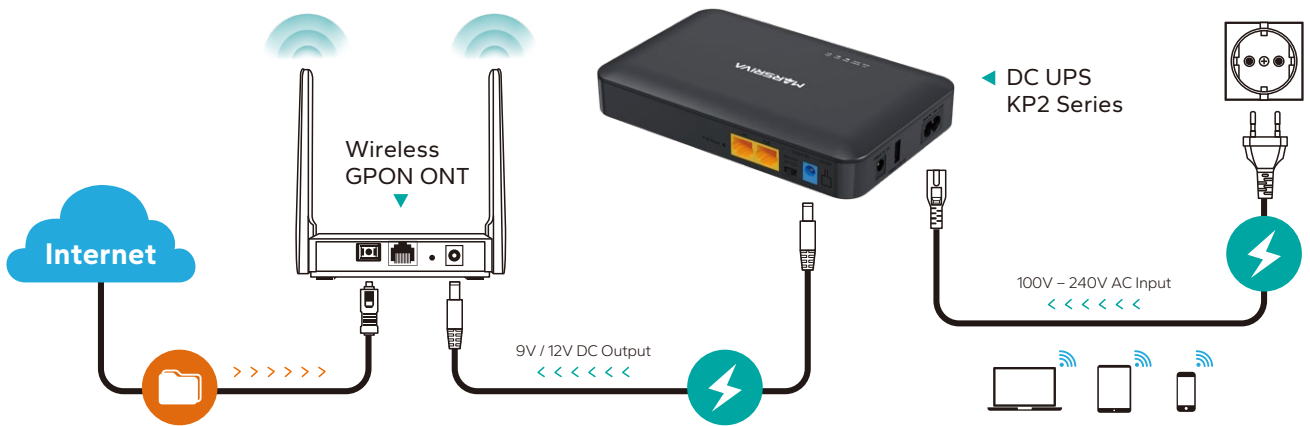
TYPICAL TOPOLOGY 2

Powering up Wireless Access Points and Wireless GPON ONT



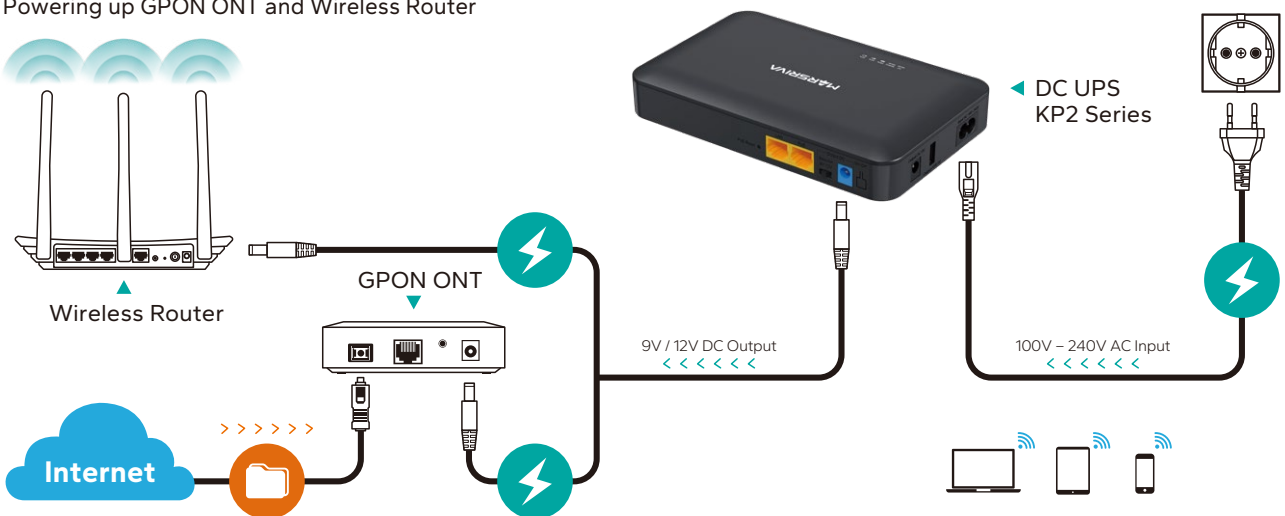
TYPICAL TOPOLOGY 3

Powering up Wireless GPON ONT



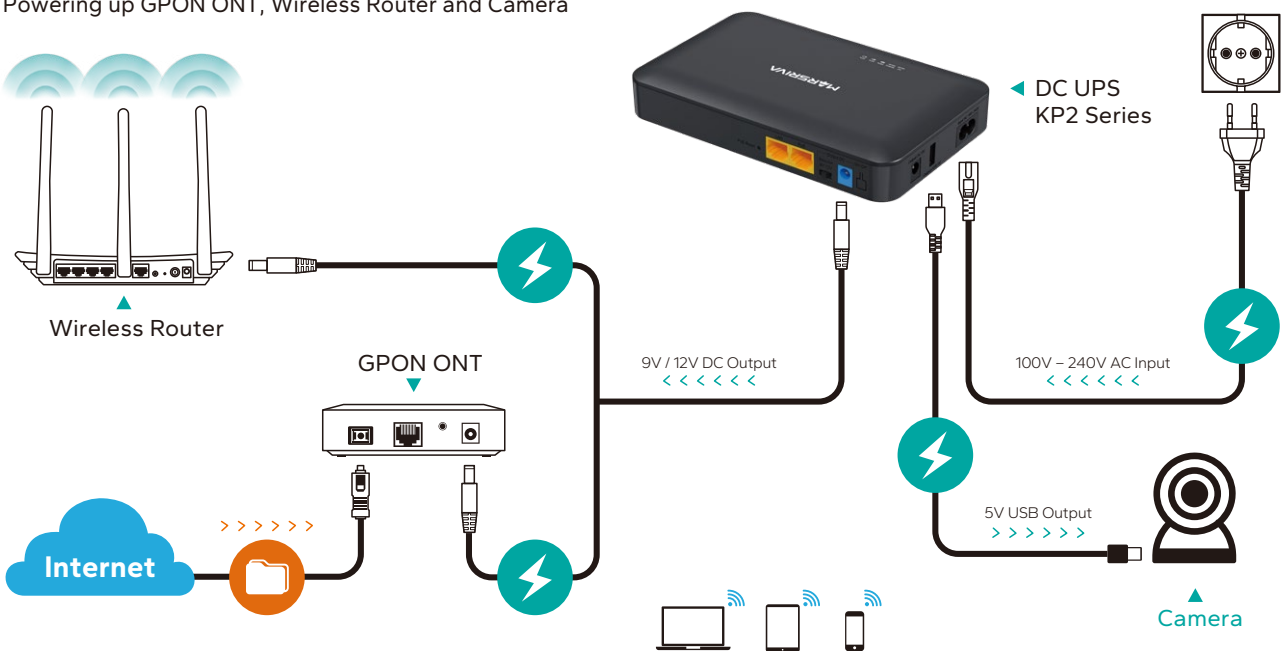
TYPICAL TOPOLOGY 4

Powering up GPON ONT and Wireless Router



TYPICAL TOPOLOGY 5

Powering up GPON ONT, Wireless Router and Camera



Smart Mini DC UPS

Keep Wi-Fi Power On

KP3 Series



AC ⇌ DC
0 ms Transfer



V-0 Flame-retardant
Plastic Enclosure



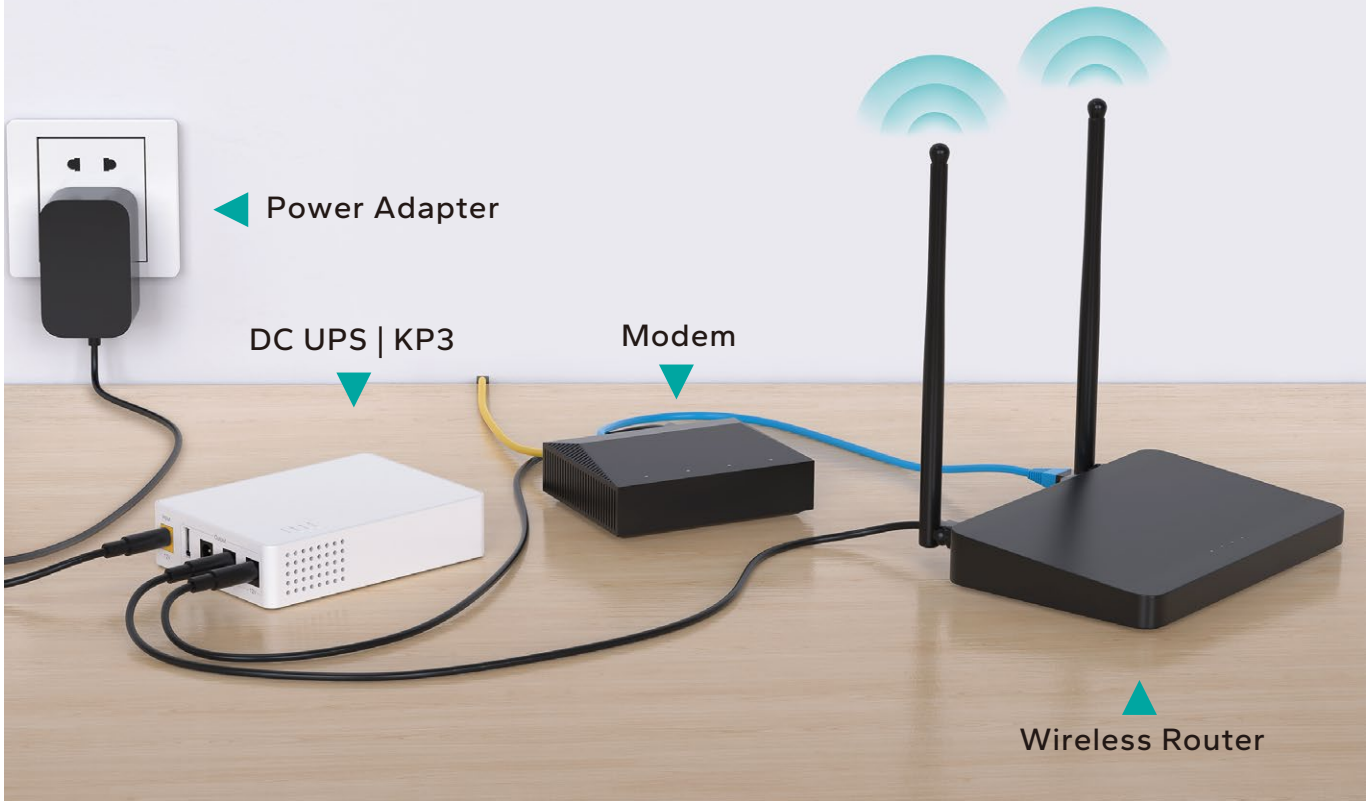
Overcharge & Overdischarge
Protection

FEATURES

- 0ms transfer technology keeps your devices working when electricity is ON / OFF shifting.
- With wall-mount slots on the back, KP3 Series can be mounted on wall easily.
- Air cooling system provides maximum heat dissipation, ensuring the long-term stability of UPS.
- V-0 flame retardant product housing secures you and your property.
- 10000mAh high-capacity battery provides longer backup time.
- 36W high-power output (KP3 Pro) provides better compatibility.

TYPICAL APPLICATION SCENARIO

Power up two devices with different voltage



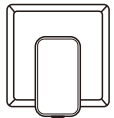
SPECIFICATIONS

Model		KP3S	KP3	KP3 Pro
Battery Capacity		36Wh		
Battery		Lithium-ion		
		3.6V / 2500mAh * 4		
Enclosure Material		ABS+PC		
Input		DC 12V / 2.0A	DC 12V / 2.0A	DC 12V / 4.0A
Output	DC1	12V / 1.5A	12V / 1.5A	12V / 3.0A
	DC2	-	9V / 2.0A	9V / 1.0A
	DC3	-	5V / 2.0A	5V / 2.0A
	USB	-	5V / 2.0A	5V / 2.0A
Total Output		18W (Max.)	18W (Max.)	36W (Max.)
Net Weight (g)		274	282	293
Unit Dimension (mm)		115 * 83 * 27 (L*W*H)		
Operate Temperature	UPS Mode	0°C - 40°C		
	Battery Mode	-15°C - 50°C		
Operate Humidity		Less than 75%RH		
Storage		15°C - 35°C, 40 - 75%RH		

TYPICAL TOPOLOGY 1

Powering up Wireless GPON ONT

Power Adapter



12V DC Input
>>>>>>



DC UPS
KP35



12V DC Output
>>>>>>



Wireless
GPON ONT



Internet

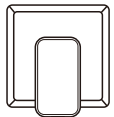


<<<<<<

TYPICAL TOPOLOGY 2

Powering up GPON ONT and Wireless Router

Power Adapter



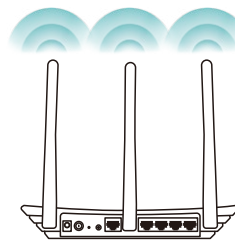
12V DC Input
>>>>>>



DC UPS
KP3



12V DC Output
>>>>>>



Wireless Router



Internet



<<<<<<



9V DC Output
>>>>>>

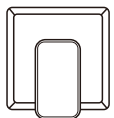
GPON ONT



TYPICAL TOPOLOGY 3

Powering up GPON ONT, Wireless Router and Camera

Power Adapter



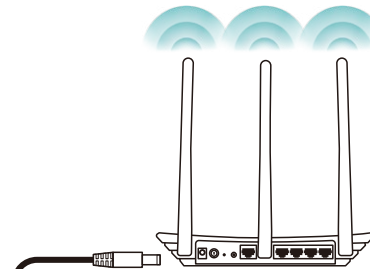
12V DC Input
>>>>>>



DC UPS
KP3 Pro



9V / 12V DC Input
>>>>>>



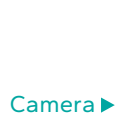
Wireless Router



Internet



<<<<<<



5V USB Output
<<<<<<



GPON ONT



Smart Mini DC UPS

Keep Wi-Fi Power On

KP4 Series



AC \rightleftharpoons DC
0ms Transfer



Multi-output
3*DC + 1*USB-A + 1*USB-C



Overcharge &
Overdischarge Protection



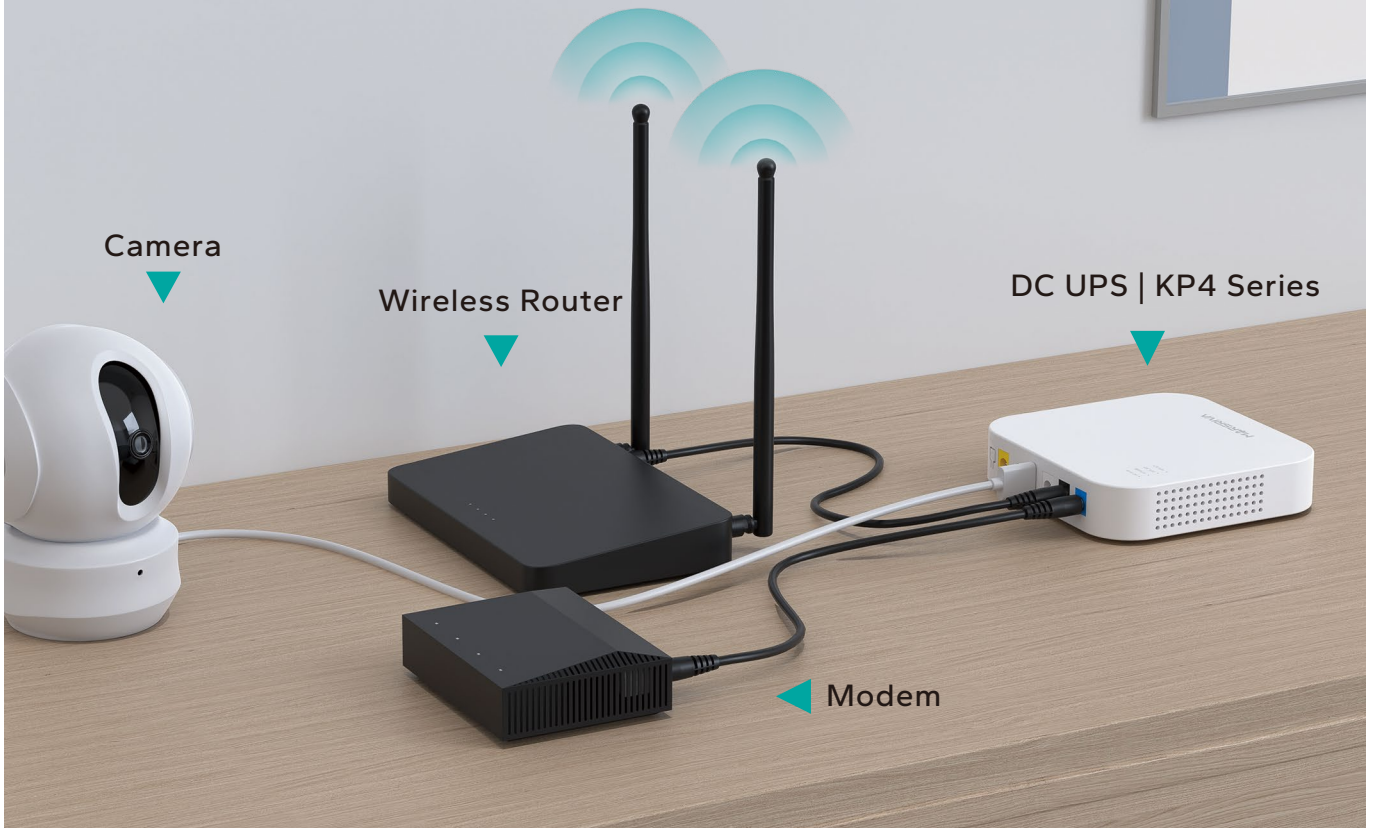
V-0 Flame-retardant
Plastic Enclosure

FEATURES

- 0ms transfer technology keeps your devices working when electricity is ON / OFF shifting.
- With wall-mount slots on the back, KP4 Series can be mounted on wall easily.
- Air cooling system provides maximum heat dissipation, ensuring the long-term stability of UPS.
- V-0 flame retardant product housing secures you and your property.
- High-capacity battery provides longer backup time.
- 18W high-power output provides better compatibility.

TYPICAL APPLICATION SCENARIO

Power up three devices with different voltage

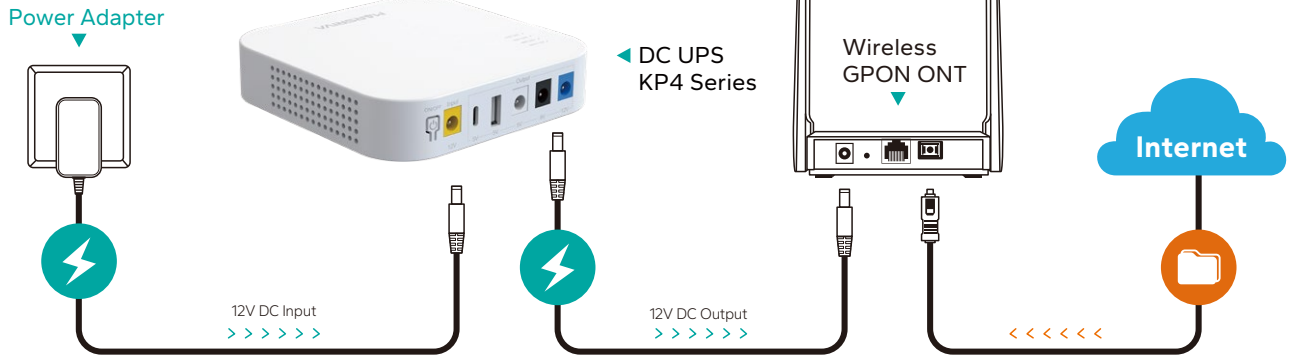


SPECIFICATIONS

Model		KP4	KP4 Plus
Battery Capacity		36Wh	60.48Wh
Battery		3.6V / 10000mAh	3.6V / 16800mAh
		(5000mAh*2)	(4200mAh*4)
Enclosure Material		ABS+PC	
Input		DC 12V / 2.0A	
Output	DC1	12V / 1.5A	
	DC2	9V / 2.0A	
	DC3	5V / 2.0A	
	USB-A	5V / 2.0A	
	USB-C	5V / 2.0A	
Total Output		18W (Max.)	18W (Max.)
Net Weight (g)		355	495
Unit Dimension (mm)		120 * 120 * 28 (L*W*H)	
Operate Temperature	UPS Mode	0°C - 40°C	
	Battery Mode	-15°C - 50°C	
Operate Humidity		Less than 75%RH	
Storage		15°C - 35°C, 40 - 75%RH	

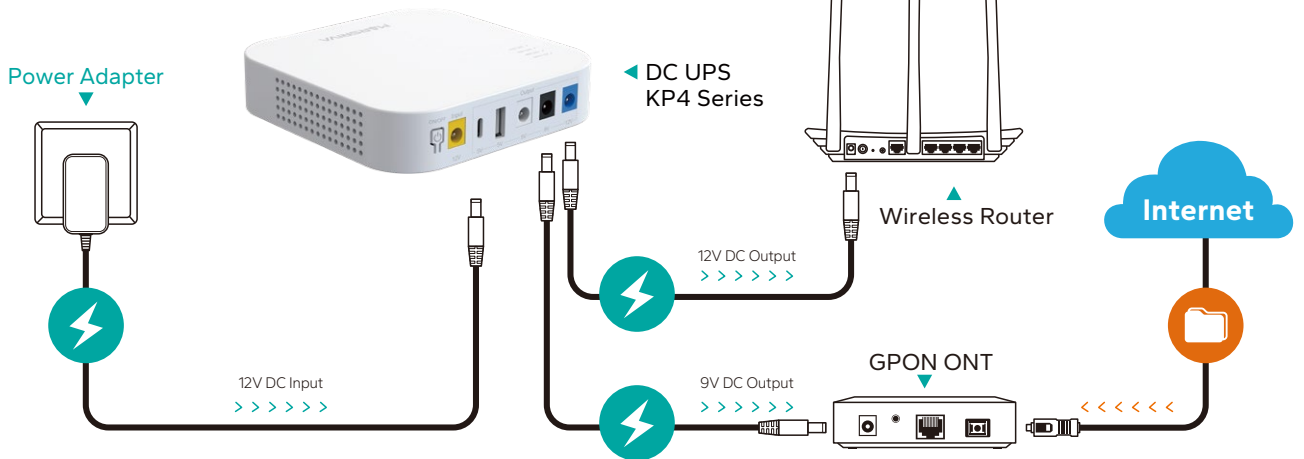
TYPICAL TOPOLOGY 1

Powering up Wireless GPON ONT



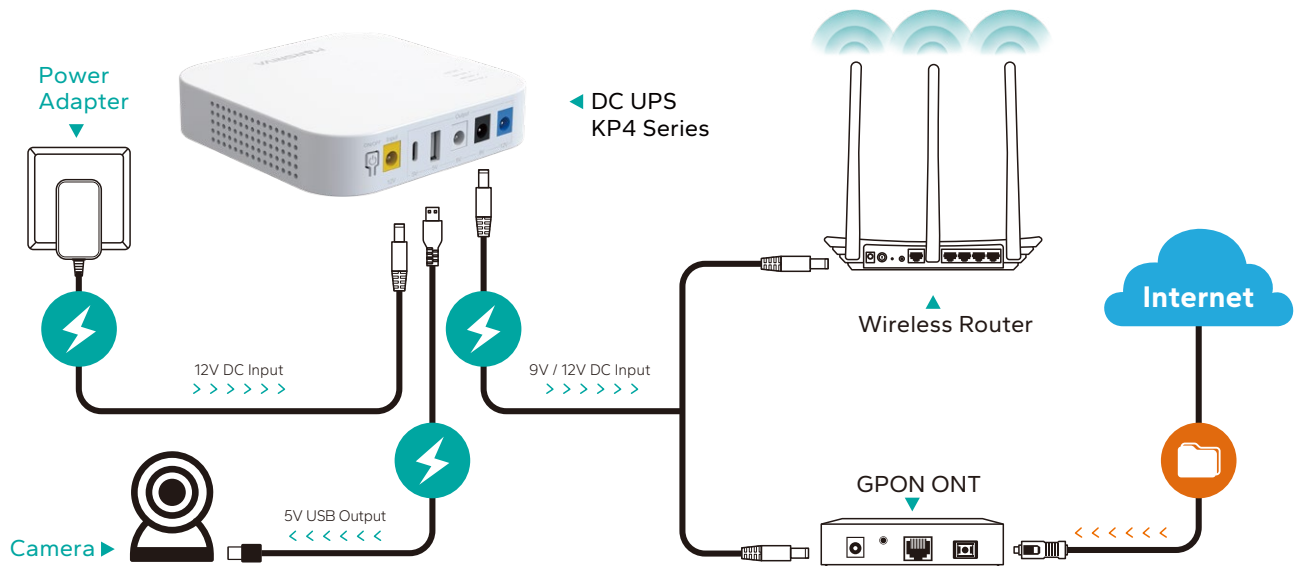
TYPICAL TOPOLOGY 2

Powering up GPON ONT and Wireless Router



TYPICAL TOPOLOGY 3

Powering up GPON ONT, Wireless Router and Camera



Smart Mini DC UPS

Keep Wi-Fi Power On

KP5 Series



AC \rightleftharpoons DC
0ms Transfer



Multi-output
3*DC + 1*USB-A + 1*USB-C



Overcharge &
Overdischarge Protection



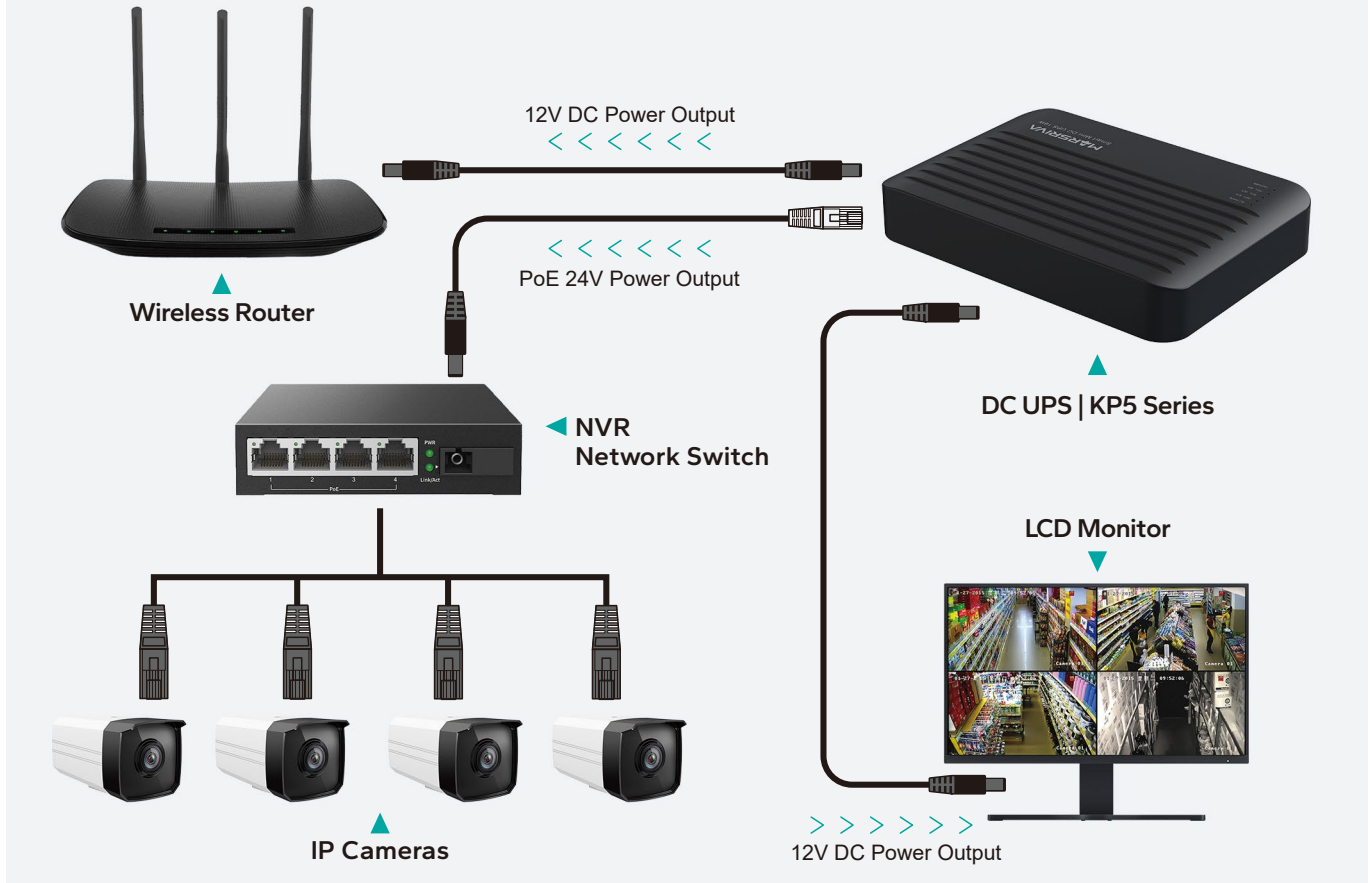
V-0 Flame-retardant
Plastic Enclosure

FEATURES

- 0ms transfer technology keeps your devices working when electricity is ON / OFF shifting.
- With wall-mount slots on the back, KP4 Series can be mounted on wall easily.
- Air cooling system provides maximum heat dissipation, ensuring the long-term stability of UPS.
- V-0 flame retardant product housing secures you and your property.
- High-capacity battery provides longer backup time.
- 18W high-power output provides better compatibility.

TYPICAL APPLICATION SCENARIO

Powering up CCTV Cameras, NVR, LCD Monitor and Wireless Router

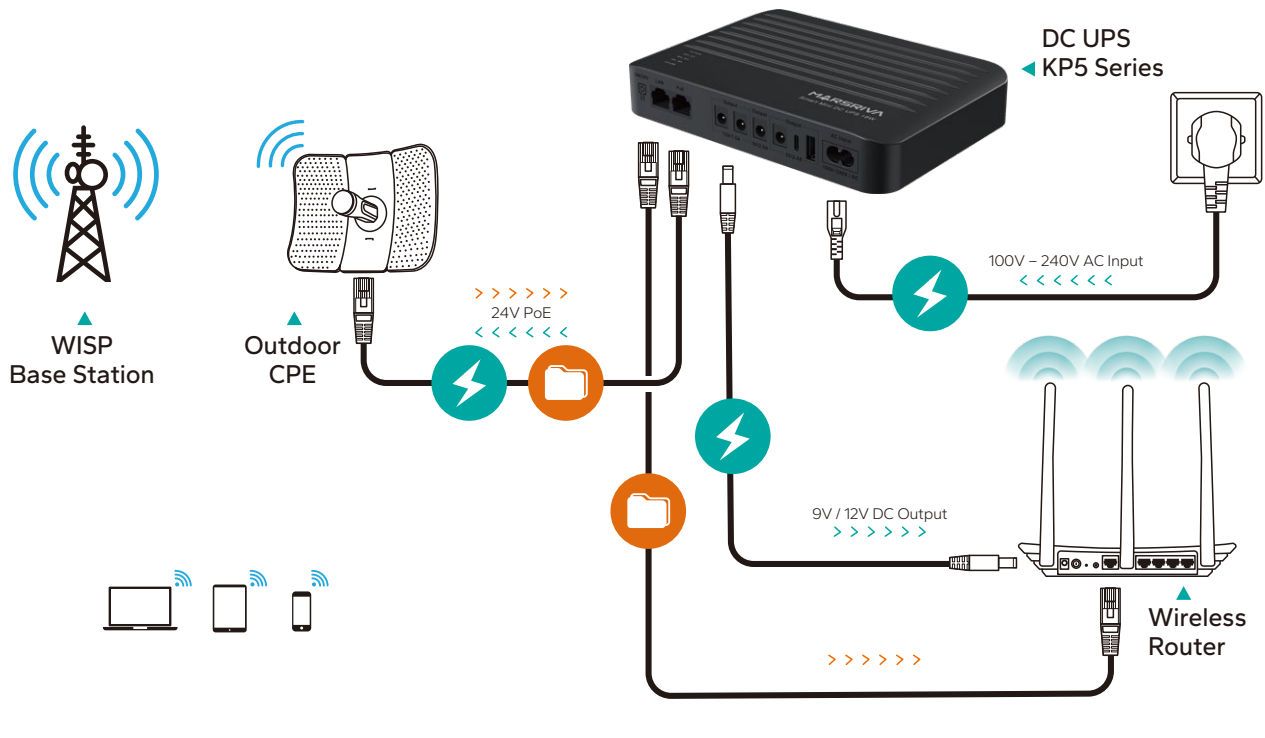


SPECIFICATIONS

Model	KP5	KP5 Plus
Battery Capacity	32Wh (LiFePO4)	64Wh (LiFePO4)
Battery	3.2V / 10000mAh	3.2V / 20000mAh
	(5000mAh*2)	(5000mAh*4)
Enclosure Material	ABS+PC	
Input	100VAC-240VAC / 50Hz-60Hz	
Output	PoE: 24V / 0.75A	
	DC1: 12V / 1.5A	DC4: 5V / 2.4A
	DC2: 12V / 1.5A	USB-A: 5V / 2.4A
	DC3: 9V / 2.0A	USB-C: 5V / 2.4A
Total Output	18W (Max.)	18W (Max.)
Net Weight (g)	355	495
Unit Dimension (mm)	180 * 125 * 35 (L*W*H)	
Operate Temperature	UPS Mode	0°C - 40°C
	Battery Mode	-15°C - 50°C
Operate Humidity	Less than 75%RH	
Storage	15°C - 35°C, 40 - 75%RH	

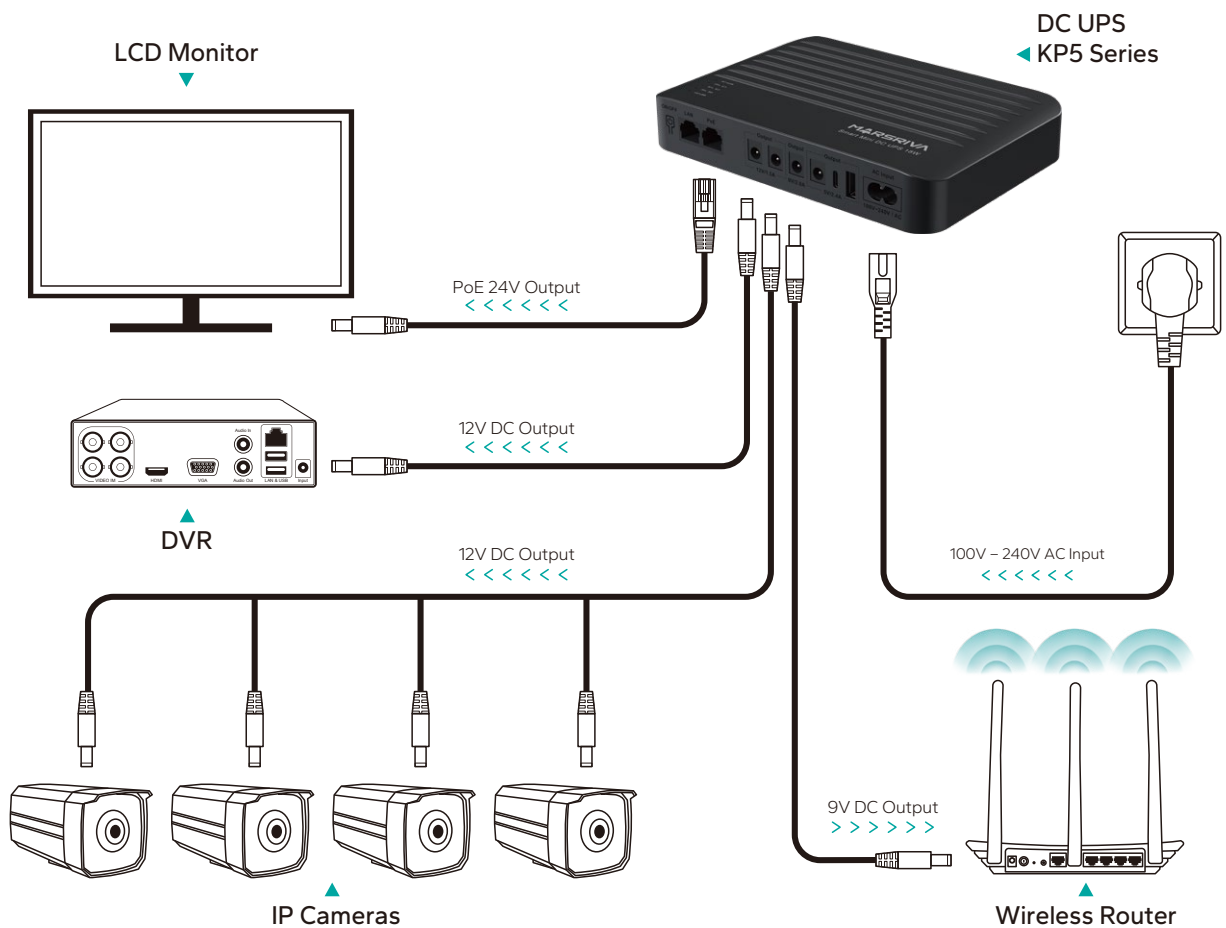
TYPICAL TOPOLOGY 1

Powering up Outdoor CPE and Wireless Router



TYPICAL TOPOLOGY 2

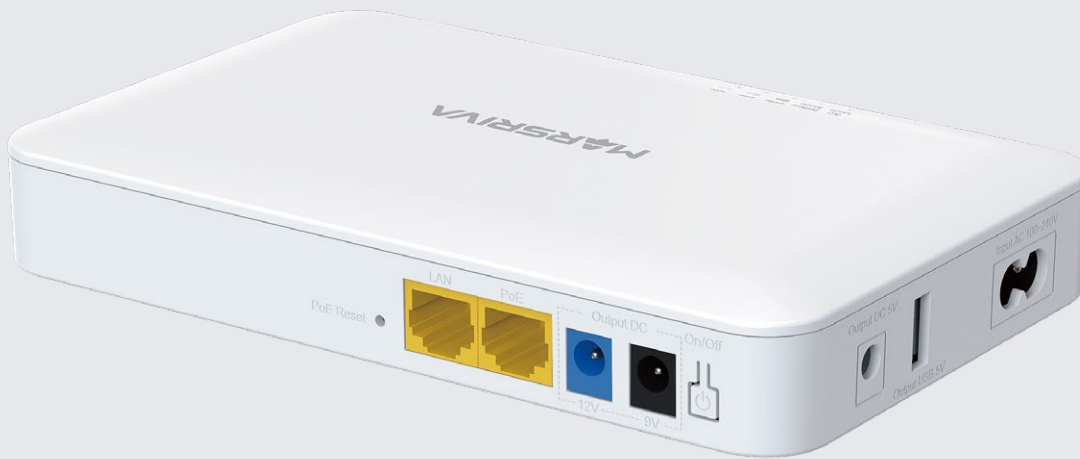
Powering up Wireless GPON ONT, DVR, LCD Monitor and CCTV Cameras



Smart Mini DC UPS

Keep Wi-Fi Power On

KP6 Series



AC \rightleftharpoons DC
0ms Transfer



Passive PoE
Supported



Overcharge &
Overdischarge Protection



V-0 Flame-retardant
Plastic Enclosure



Honeycomb
Ventilation

FEATURES

- With 1 * Passive PoE, 3 * DC and 1 * USB output ports, DC UPS is able to power up multiple devices simultaneously.
- AC to DC 0ms transfer technology keeps your devices working when electricity is ON/OFF shifting.
- With wall-mount slots on the back, DC UPS can be mounted on wall easily.
- Air cooling system provides maximum heat dissipation, ensuring the long-term stability of UPS.
- V-0 flame retardant product housing secures you and your property.
- 16000mAh high-capacity battery (KP6 Plus) provides longer backup time.
- 18W high-power output provides better compatibility.

TYPICAL APPLICATION SCENARIO

Power up three devices with different voltage

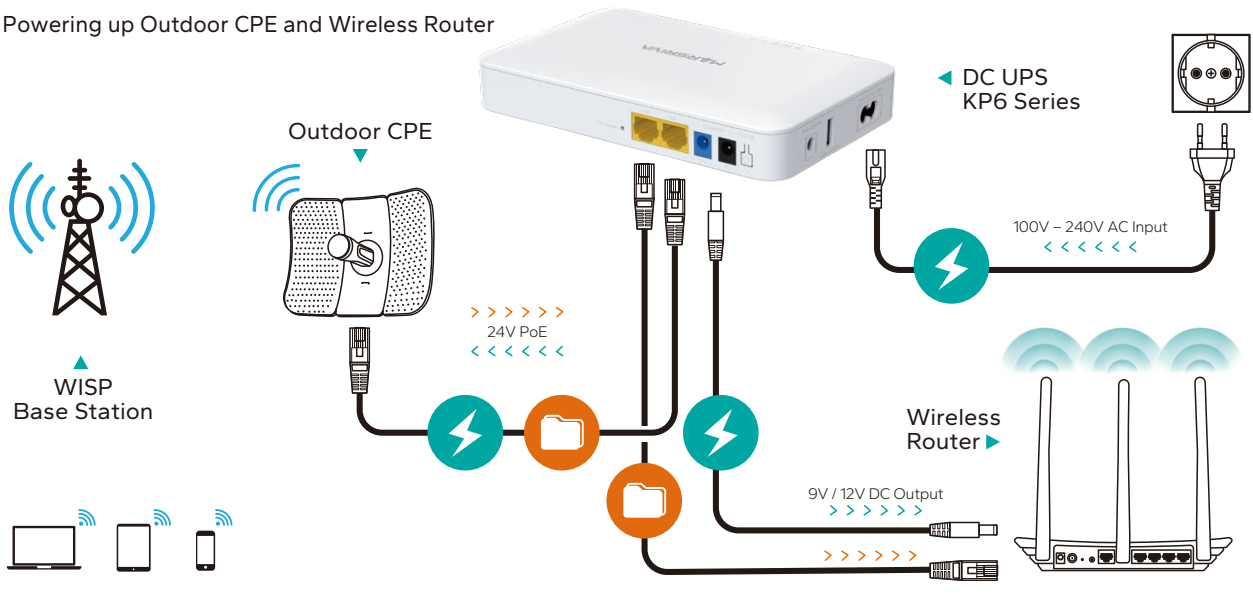


SPECIFICATIONS

Model	KP6 EC	KP6	KP6 Plus	KP6 Max
Battery Capacity	30.24Wh	36Wh	60.48Wh	72Wh
Battery	3.6V / 8400mAh	3.6V / 10000mAh	3.6V / 16800mAh	3.6V / 20000mAh
	4200mAh * 2	5000mAh * 2	4200mAh * 4	5000mAh * 4
Enclosure Material	ABS+PC			
Input	100VAC-240VAC / 50Hz-60Hz			
Output	PoE	24V / 0.75A		
	DC1	12V / 1.5A		
	DC2	9V / 2.0A		
	DC3	5V / 2.1A		
	USB	5V / 2.1A		
Total Output	18W (Max.)			
Net Weight (g)	355	397	483	512
Unit Dimension (mm)	173 * 108 * 31.8 (L*W*H)			
Operate Temperature	UPS Mode	0°C - 40°C		
	Battery Mode	-15°C - 50°C		
Operate Humidity	Less than 75%RH			
Storage	15°C - 35°C, 40 - 75%RH			

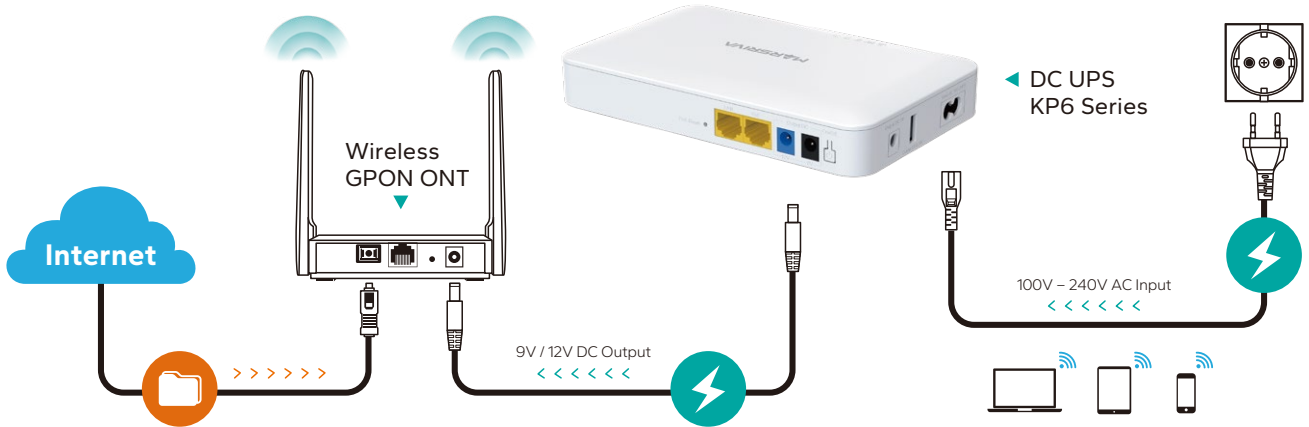
TYPICAL TOPOLOGY 1

Powering up Outdoor CPE and Wireless Router



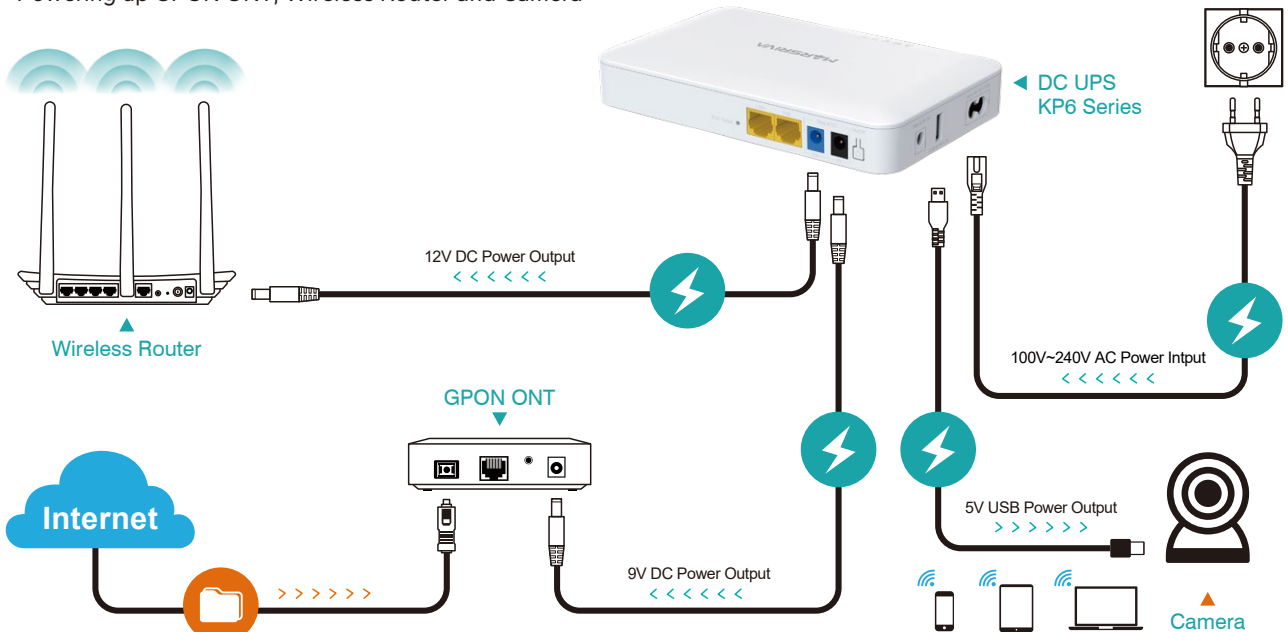
TYPICAL TOPOLOGY 2

Powering up Wireless GPON ONT



TYPICAL TOPOLOGY 3

Powering up GPON ONT, Wireless Router and Camera



Smart Mini DC UPS

Security Never Shuts Down

KP7 Series



Multi-output
Ports



PoE
Supported



LiFePO4
Battery



Digital
LCD Display



Overcharge &
Overdischarge Protection

FEATURES

- High power budget, 100 watts max total output power
- Gigabit PoE ensures lightning-fast data transfer
- LiFePO4 batteries provide a longer product lifespan
- Intelligent circuit design with overcharge, overdischarge and short circuit protections
- Multi-function LCD display, showing the accurate power status
- Wide AC input voltage range (100 - 240 VAC)

TYPICAL APPLICATION SCENARIO

Powering up CCTV Cameras, DVR, LCD Monitor and Wireless GPON ONT

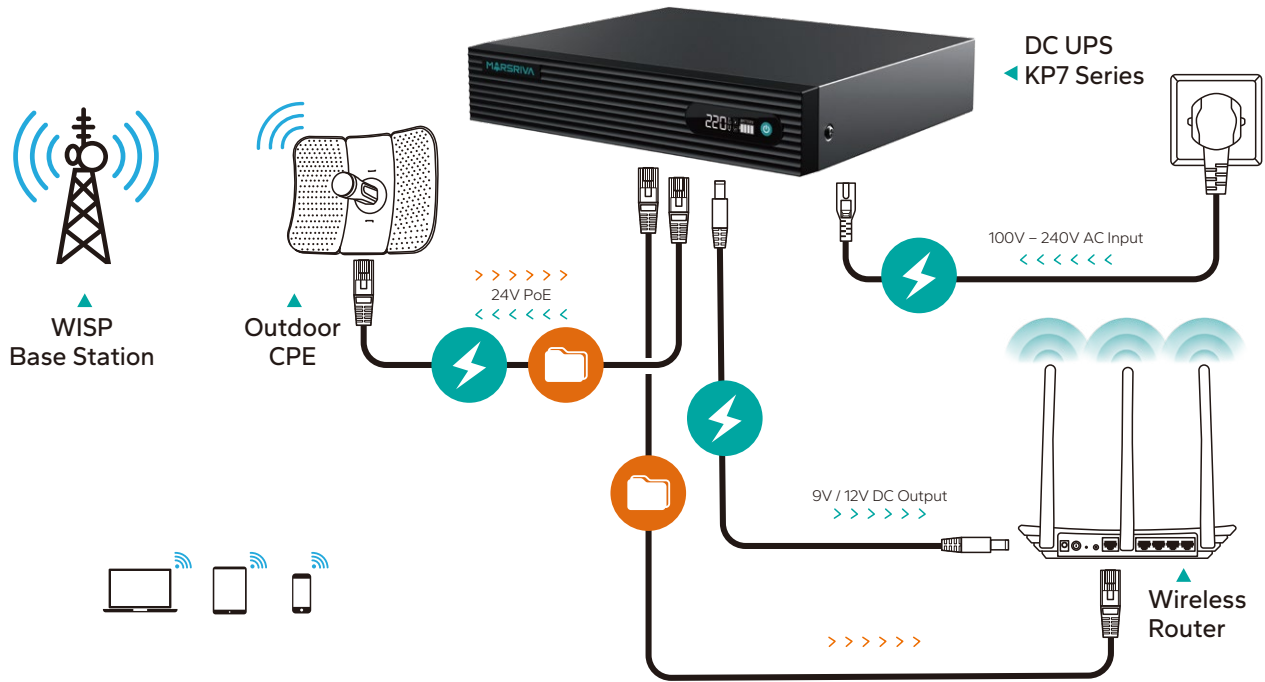


SPECIFICATIONS

Model	KP7	KP7 Pro
Battery Capacity	76.8Wh	
Battery	LiFePO4	
	3.2V / 6000mAh*4	
Enclosure Material	Metal	
Input	100 – 240VAC / 50 – 60Hz	
Output	1* PoE: 24V / 1.0A or 48V / 0.7A 1* DC: 9V / 3.0A or 12V / 3.0A 10* DC: 12V / 5.0A	1* Gigabit PoE: 24V / 1.0A or 48V / 0.7A 1* DC: 9V / 3.0A or 12V / 3.0A 9* DC: 12V / 5.0A 1* DC: 5V / 2.0A 1* USB: 5V / 2.0A
Total Output	100W (Max.)	
Net Weight (kg)	1.85	1.88
Unit Dimension (mm)	258 * 220 * 53 (L*W*H)	
Operate Temperature	UPS Mode	0°C – 40°C
	Battery Mode	-15°C – 50°C
Operate Humidity	Less than 75%RH	
Storage	15°C – 35°C, 40 – 75%RH	

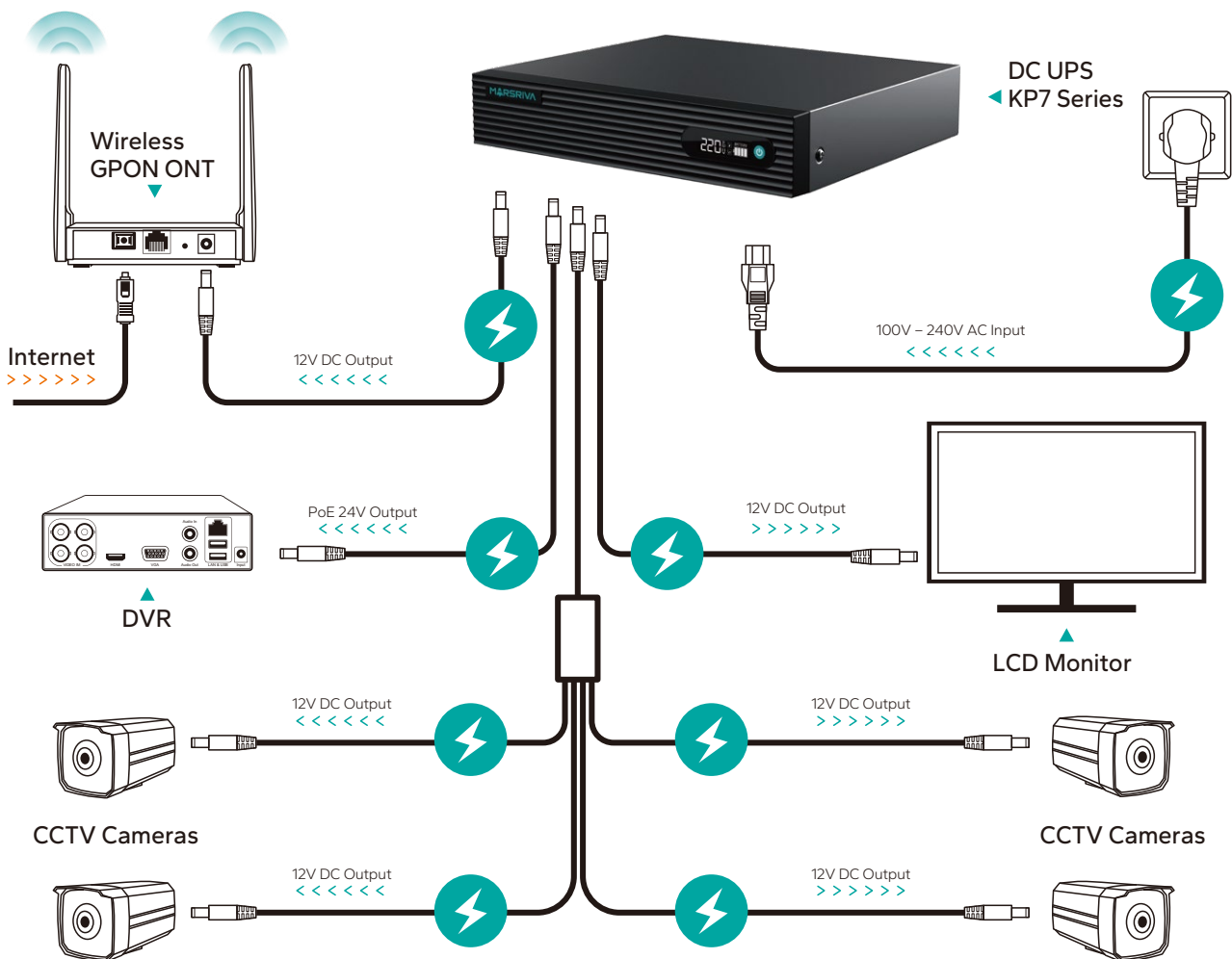
TYPICAL TOPOLOGY 1

Powering up Outdoor CPE and Wireless Router



TYPICAL TOPOLOGY 2

Powering up Wireless GPON ONT, DVR, LCD Monitor and CCTV Cameras



Smart Mini DC UPS

Security Never Shuts Down

KP9 Series



Multi-output
Ports



PoE
Supported



LiFePO4
Battery



Digital
LCD Display

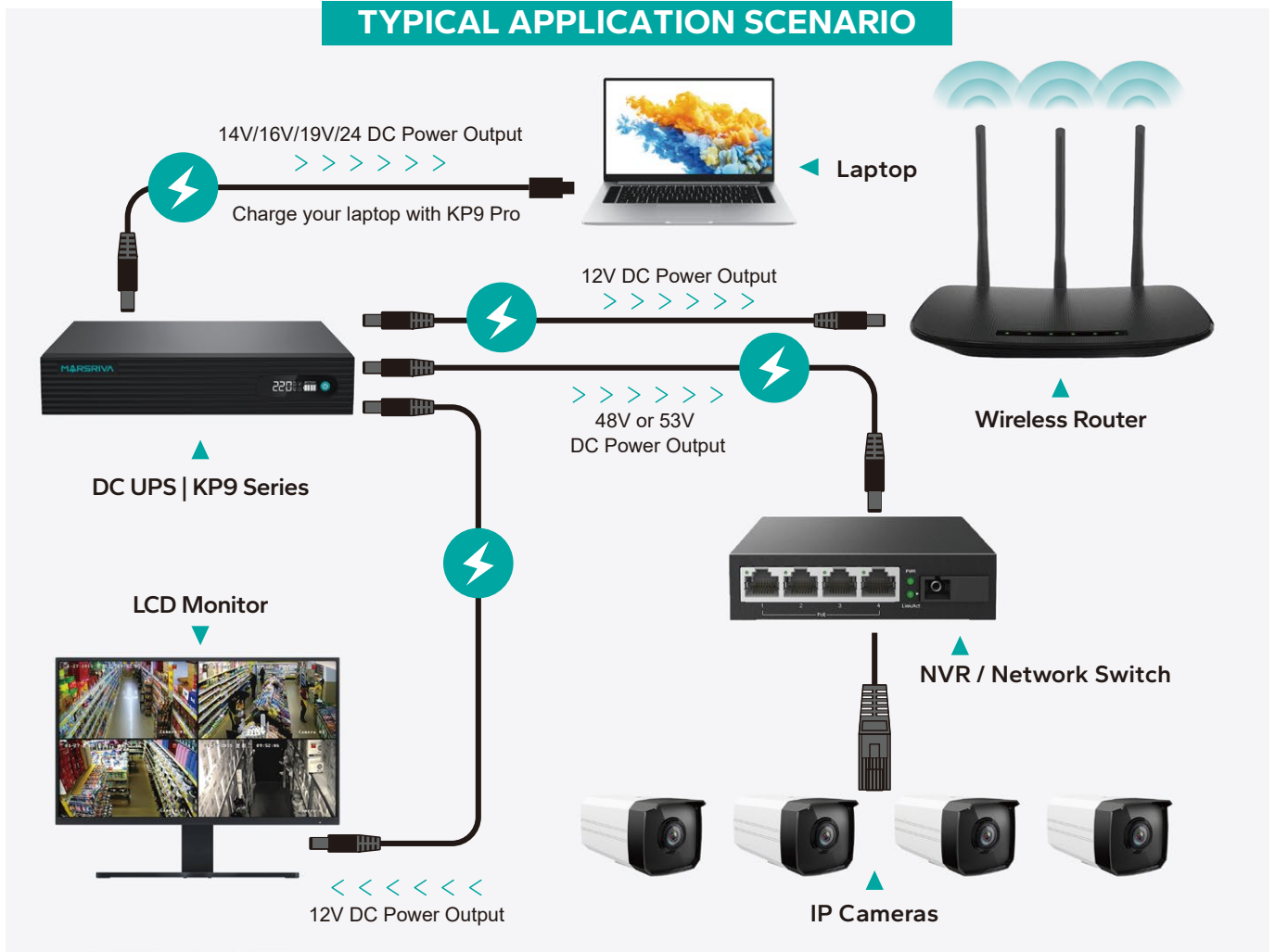


Overcharge &
Overdischarge Protection

FEATURES

- Charge NVR / Network Switch at 48V / 2.0A or 53V / 1.8A DC Output
- Charge laptop at 14V / 4.0A or 16V / 4.0A or 19V / 4.0 or 24V / 4.0A with KP9 Pro
- High power budget, 100 watts max total output power
- Gigabit PoE ensures lightning-fast data transfer
- LiFePO4 batteries provide a longer product lifespan
- Intelligent circuit design with overcharge, overdischarge and short circuit protections
- Multi-function LCD display, showing the accurate power status
- Wide AC input voltage range (100 - 240 VAC)

TYPICAL APPLICATION SCENARIO



SPECIFICATIONS

Model	KP9	KP9 Pro
Battery Capacity	76.8Wh	
Battery	LiFePO4	
	3.2V / 6000mAh*4	
Enclosure Material	Metal	
Input	100 – 240VAC / 50 – 60Hz	
Output	1 * Gigabit PoE: 24V / 1.0A or 48V / 0.7A 2 * DC: 48V / 2.0A 1 * DC: 9V / 3.0A or 12V / 3.0A 7 * DC: 12V / 5.0A 1 * DC: 5V / 2.0A 1 * USB: 5V / 2.0A	1 * Gigabit PoE: 24V / 1.0A or 48V / 0.7A 2 * DC: 48V / 2.0A or 53V / 1.8A 1 * DC: 14V / 16V / 19V / 24V 4.0A 1 * DC: 9V / 3.0A or 12V / 3.0A 7 * DC: 12V / 5.0A 1 * DC: 5V / 2.0A 1 * USB: 5V / 2.0A
Total Output	100W (Max.)	
Net Weight (kg)	1.88	1.95
Unit Dimension (mm)	258 * 220 * 53mm (L*W*H)	
Operate Temperature	UPS Mode	0°C – 40°C
	Battery Mode	-15°C – 50°C
Operate Humidity	Less than 75%RH	
Storage	15°C – 35°C, 40 – 75%RH	