



## V1600XG02

2 PON Ports GPON/XG/XGS-PON OLT

### Highlights:



GPON/XG/XGS-PON optional



10Gbps High-speed



19 inch standard box

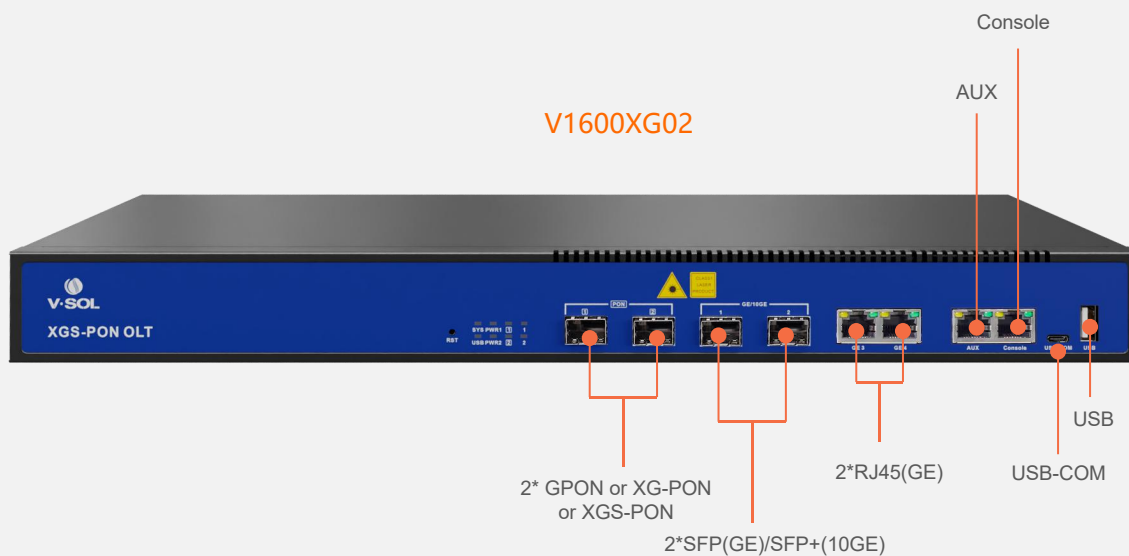


Easy Install  
Easy O&M

### Introduction:

V1600XG02 is a 1U box OLT equipped with 2 PON ports (optional GPON, XG-PON, XGS-PON) and 2 10GE/GE uplink optical ports. With a maximum splitting ratio of 1:256 (1:128 recommended) and a rate of up to 10Gbps, it is designed for small businesses, stores and property leasing, providing an efficient and flexible fiber access network solution.

### Interface Description:



## Technical Specifications

Item		V1600XG02
Chassis	Rack	1U 19Inch Standard Box
Uplink Port	QTY	4
	RJ45(GE)	2
	SFP(GE)/SFP+(10GE)	2
PON Port	QTY	2
	Physical Interface	SFP+ Slots
	Optical splitting ratio	1:256(Maximum), 1:128(Recommended)
Management Ports		1*10/100/1000M BASE-T out-band LAN port, 1*CONSOLE port, 1*USB-COM, 1*USB2.0
Backplane Bandwidth (Gbps)		208
Port Forwarding Rate(Mpps)		124.992
PON Port Specification	Transmission Distance	20KM
	GPON port speed	Upstream 1.244Gbps, Downstream 2.488Gbps
	XG-PON port speed	Upstream 2.488Gbps, Downstream 9.953Gbps
	XGS-PON port speed	Upstream 9.953Gbps, Downstream 9.953Gbps
	Wavelength	GPON:TX 1490nm, RX 1310nm
	Wavelength	XG-PON,XGS-PON: TX 1577nm, RX 1270nm
	Connector	SC/UPC
Power Supply	Fiber Type	9/125μm SMF
	AC	Working Voltage Range: 100~240V, Rated Voltage: 110V/220V
	DC	Working Voltage Range: -36~-75V, Rated Voltage: -48V/-60V
Management Mode		WEB , Telnet , CLI

### Management Function

- Telnet,CLI,WEB;
- Fan Group Control
- Port Status monitoring and configuration management
- Online ONTconfiguration and management
- User management
- Alarm management

### Layer2 Switch

- 16K Mac address
- Support 4096 VLANs
- Support port VLAN
- Support VLAN tag/Un-tag, VLAN transparent transmission
- Support VLAN translation and QinQ
- Support storm control based on port
- Support port isolation
- Support port rate limitation
- Support 802.1D and 802.1W
- Support static LACP,Dynamic LACP
- QoS based on port, VID, TOS and MAC address
- Access control list
- IEEE802.x flowcontrol
- Port stability statistic and monitoring

### Multicast

- IGMP snooping
- 1K L2 Multicast Groups
- 1K L3 Multicast Groups

### DHCP

- DHCP server,DHCP relay,DHCP snooping
- DHCP option82

### Layer 3 Route

- ARP proxy
- 16K hardware Host Routes,1024 hardware Subnet Routes
- Support static route

### IPv6

- Support NDP;
- Support IPv6 Ping,IPv6 Telnet,IPv6 routing;
- Support ACL based on source IPv6 address, destination IPv6 address, L4 port, protocol type, etc;
- Support MLD v1/v2 snooping(Multicast Listener Discovery sno

### GPON Function

- Tcont DBA
- Gemport traffic
- In compliant with ITU-T G.984 (GPON) 、ITU-T G.9807(XGS-PON) , ITU-T G.987(XG-PON)
- Up to 20KM transmission Distance
- Support data encryption, multi-cast, port VLAN, separation, RSTP, etc
- Support ONT auto-discovery/link detection/remote upgrade of software

- Support VLAN division and user separation to avoid broadcast storm
- Support power-off alarm function, easy for link problem detection
- Support broadcasting storm resistance function
- Support port isolation between different ports
- Support ACL and SNMP to configure data packet filter flexibly
- Specialized design for system breakdown prevention to maintain stable system

### Dimension (L\*W\*H)

- 442mm\*200mm\*43.6mm

### Weight

- Net weight of single power: 2.485kg

### Power Consumption

- 40W

### Working Temperature

- -20°C ~+60°C

### Storage Temperature

- -40~+70°C

### Relative Humidity

- 5~95% (non-condensing)

### Ordering Information:

Product Name	Product Description	Power Configuration	Accessories
V1600XG02	2*GPON or XG-PON or XGS-PON, 2*GE(RJ45)+2*GE(SFP)/10GE(SFP+)	1*AC power; 1*DC power; 2*AC power; 2*DC power; 1*AC power + 1* DC power.	Class N2 module 1G SFP module 10G SFP+ module