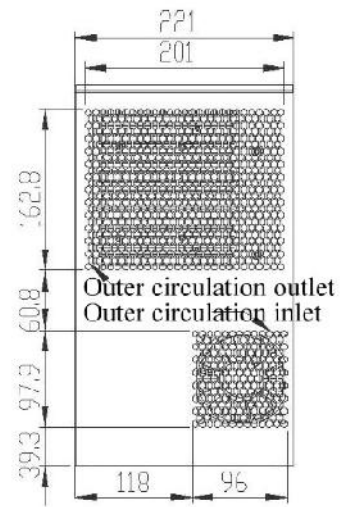
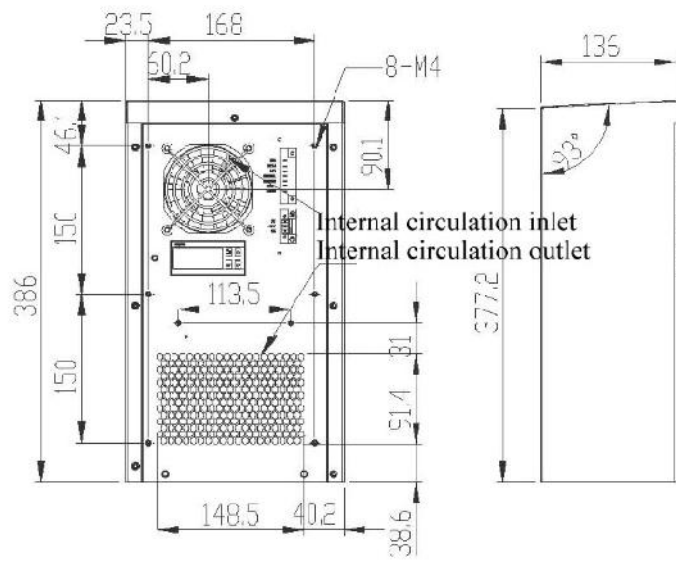


# Product Dimension Drawing



# Air conditioning open hole size chart

