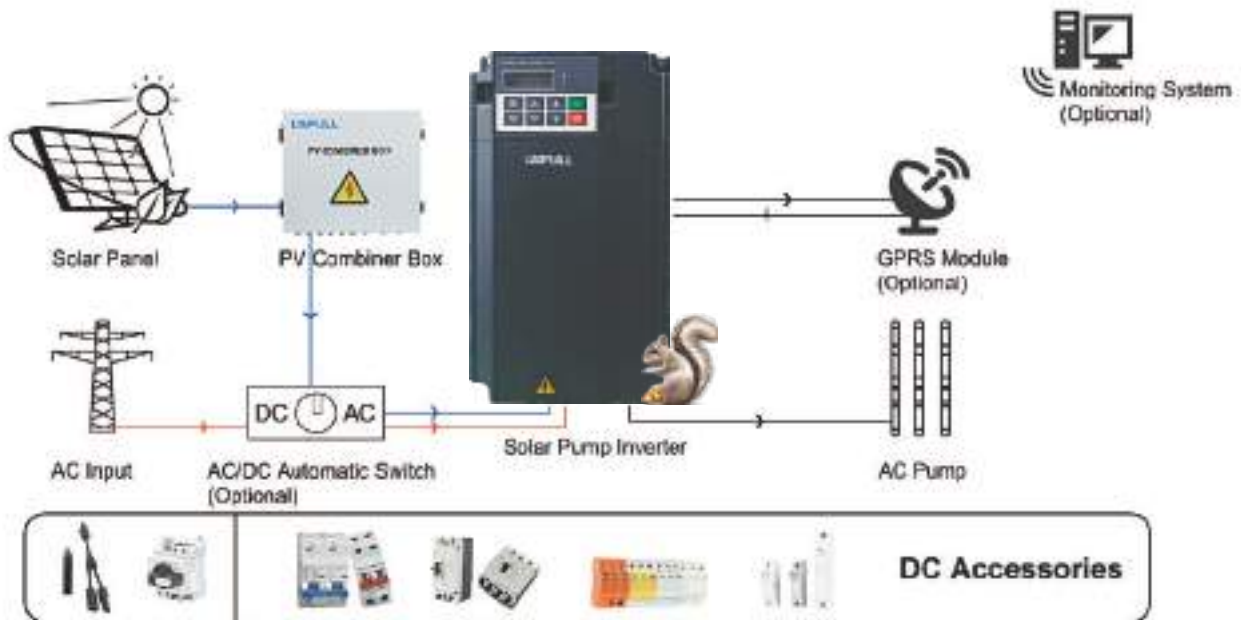


Rated Specifications

Series	Model	Rated Output Power (KW)	Rated Input Current (A)	Rated Output Current (A)
-SS2(0.75KW-4KW)	FU9000SI-0R7G-SS2	0.75	9.3	7.2
	FU9000SI-1R5G-SS2	1.5	15.7	10.2
	FU9000SI-2R2G-SS2	2.2	24	14
	FU9000SI-004G-SS2	4	32	25
-S2(0.75KW-2.2KW)	FU9000SI-0R7G-S2	0.75	9.3	4.2
	FU9000SI-1R5G-S2	1.5	15.7	7.5
	FU9000SI-2R2G-S2	2.2	24	10
-4(0.75KW-110KW)	FU9000SI-0R7G-4	0.75	3.4	2.5
	FU9000SI-1R5G-4	1.5	5	4.2
	FU9000SI-2R2G-4	2.2	5.8	5.5
	FU9000SI-004G-4	4	13.5	9.5
	FU9000SI-5R5G-4	5.5	19.5	14
	FU9000SI-7R5G-4	7.5	25	18.5
	FU9000SI-011G-4	11	32	25
	FU9000SI-015G-4	15	40	32
	FU9000SI-018G-4	18.5	47	38
	FU9000SI-022G-4	22	51	45
	FU9000SI-030G-4	30	70	60
	FU9000SI-037G-4	37	80	75
	FU9000SI-045G-4	45	94	92
	FU9000SI-055G-4	55	128	115
	FU9000SI-075G-4	75	160	150
	FU9000SI-090G-4	90	190	180
	FU9000SI-110G-4	110	225	215
	FU9000SI-132G-4	132	265	260
	FU9000SI-160G-4	160	310	305
	FU9000SI-185G-4	185	345	340
FU9000SI-200G-4	200	385	380	
FU9000SI-250G-4	250	468	465	
FU9000SI-280G-4	280	525	520	
FU9000SI-315G-4	315	590	585	



Introduction of USFULL Solar Pumping System



● High Efficiency Automatic MPPT

Maximum power point tracking function guarantees the system get the highest power output from solar panel and maximizes the efficiency of pumping system.

● Best Off-grid Solution

For off-grid area, solar pump inverter without battery is the most ideal solution for pumping.

● Professional Pump Protection

Automatic start and stop in the morning, for full tank and water shortage of water well.

● Easy Operation Program

The inverter is full automatic. After connect cables correctly, power on and it will run.

Water Proof Solution

USFULL offer several solutions for water and dust proof. Two classic methods are displayed as below.



Rated Power: 0.75kW-4kW (220V)
0.75kW-7.5kW (380V)

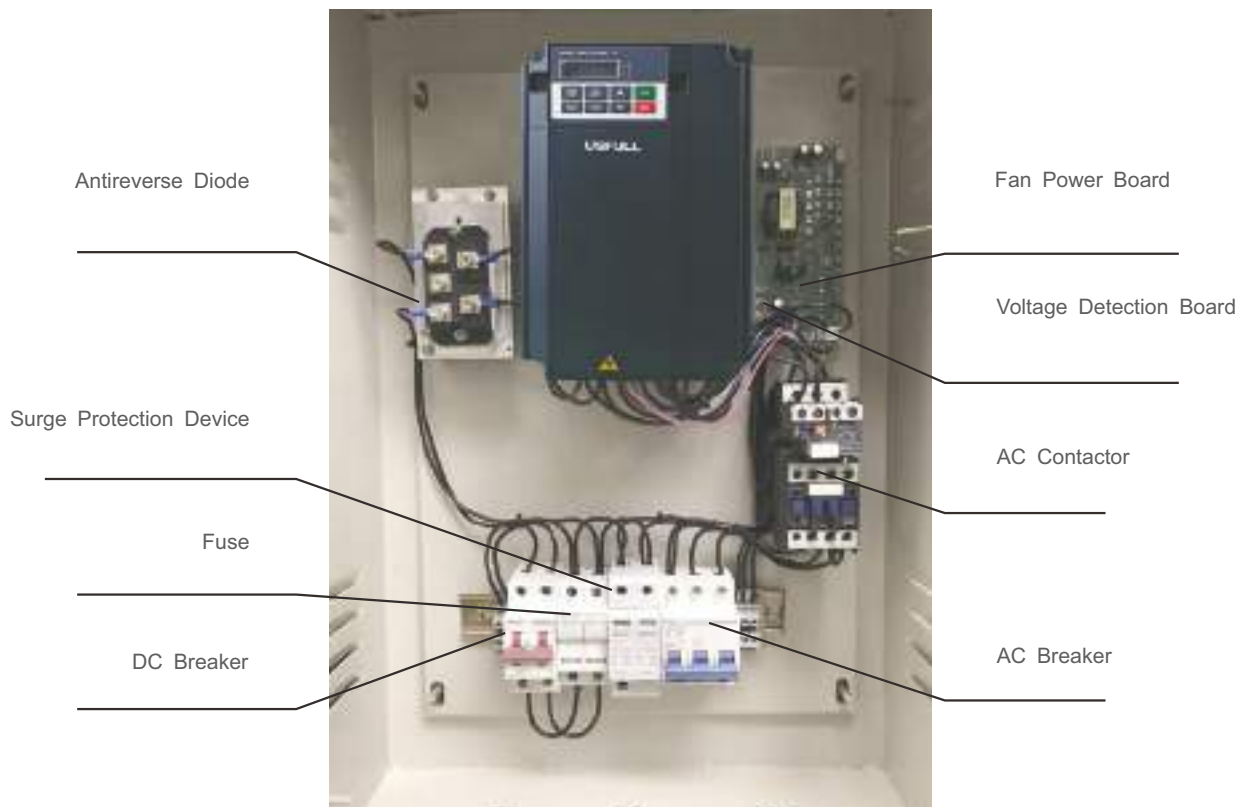
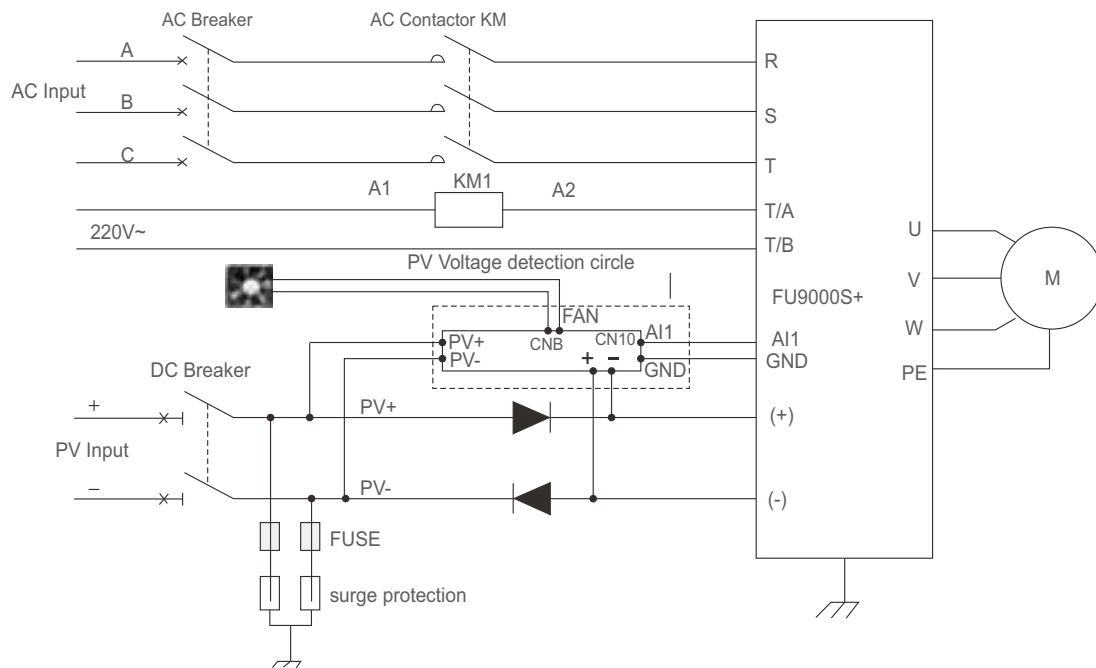
Feature: Flexible for installation, no need enclosure for protection.



Rated Power: 0.75kW-4kW (220V)
0.75kW-315kW (380V)

Feature: High quality enclosure.
Support electrical components build in.

DC/AC Input Switch Solution



Recommend Solar Panel Connection



VMP Voltage	29±1V		36±1V	
VOC Voltage	37±1V		45±1V	
Model Type	Module Power±5Wp	Module Per String* String Number	Module Power±5Wp	Module Per String* String Number
FU9000SI-0R7G-SS2	250W	11*1	300W	9*1
FU9000SI-1R5G-SS2		11*1		9*1
FU9000SI-2R2G-SS2		11*2		9*2
FU9000SI-004G-SS2		11*2		9*2
FU9000SI-0R7G-S2		11*1		9*1
FU9000SI-1R5G-S2		11*1		9*1
FU9000SI-2R2G-S2		11*1		9*1
FU9000SI-004G-S2		11*2		9*2
FU9000SI-0R7G-4		18*1		15*1
FU9000SI-1R5G-4		18*1		15*1
FU9000SI-2R2G-4		18*1		15*1
FU9000SI-004G-4		20*1		16*1
FU9000SI-5R5G-4		18*2		15*2
FU9000SI-7R5G-4		18*2		15*2
FU9000SI-011G-4		18*3		15*3
FU9000SI-015G-4		18*4		15*4
FU9000SI-018G-4		18*5		15*5
FU9000SI-022G-4		18*6		15*6
FU9000SI-030G-4		18*8		15*8
FU9000SI-037G-4		18*9		15*9