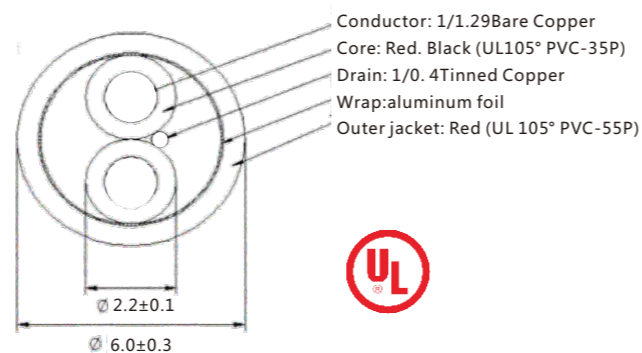
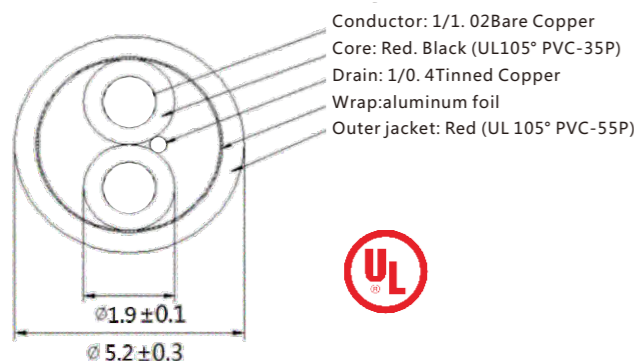
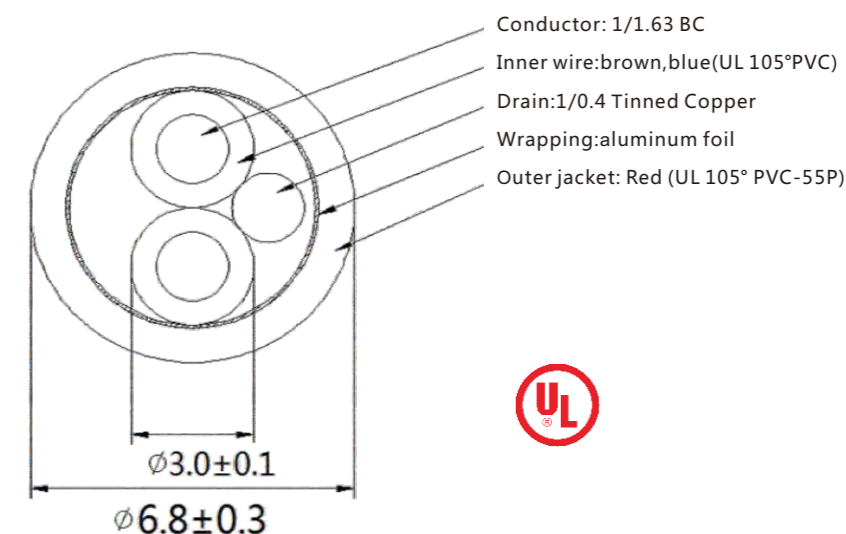
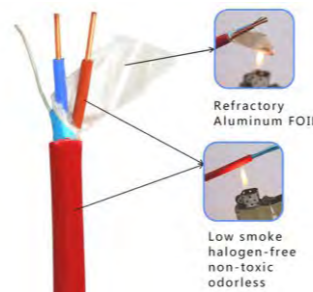


Fire Proof Cable

Features
Oxygen-free Copper
High temperature resistance
Halogen and smoke free
Quality Assurance



Model	AW-FPLR2X1.0
Conductor	1/1.02 solid bare copper
Max conductor resistant Ω /KM (20°C)	21.4
Insulation thickness	0.38 mm
Min insulation thickness	0.33 mm
Inner wire	brown, blue (flame retardant PVC)
Wire numbers	2 core
Drain wire	0.4mm tinned copper
Wrapping	Al-foil
Jacket	red (flame retardant PVC)
OD	5.2±0.3 mm
Jacket thickness	0.58 mm
Min jacket thickness	0.46 mm
Rated temperature	105°C
Rated voltage	300V
Fame retardant rating	Vw-1
Application	fire alarm systems

Model	AW-FPLR2X1.5
Conductor	1/1.29 solid bare copper
Max conductor resistant Ω /KM (20°C)	13.5
Insulation thickness	0.44 mm
Min insulation thickness	0.39 mm
Inner wire	brown, blue (flame retardant PVC)
Wire numbers	2 core
Drain wire	0.4mm tinned copper
Wrapping	Al-foil
Jacket	red (flame retardant PVC)
OD	5.8±0.3 mm
Jacket thickness	0.64 mm
Min jacket thickness	0.52 mm
Rated temperature	105°C
Rated voltage	300V
Fame retardant rating	Vw-1
Application	fire alarm systems

Model	AW-FPLR2X2.5
Conductor	1/1.63 solid bare copper
Max conductor resistant Ω /KM (20°C)	8.45
Insulation thickness	0.51 mm
Min insulation thickness	0.46 mm
Inner wire	brown, blue (flame retardant PVC)
Wire numbers	2 core
Drain wire	0.4mm tinned copper
Wrapping	Al-foil
Jacket	red (flame retardant PVC)
OD	6.8±0.3 mm
Jacket thickness	0.74 mm
Min jacket thickness	0.62 mm
Rated temperature	105°C
Rated voltage	300V
Fame retardant rating	Vw-1
Application	fire alarm systems