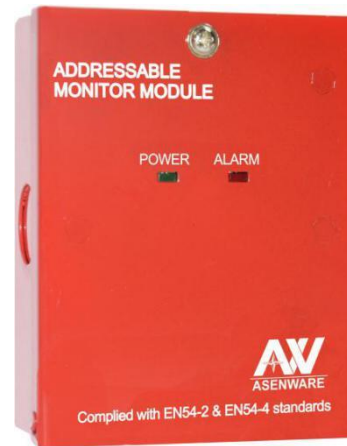


AW-D110 is an intelligent addressable monitor module, which can be configured with Asenware AW-FP100 Series Addressable Fire Alarm Control Panel.

Each point (device) can be given specific ID or individual address, which allows the panel to continuously monitor specific location (point).

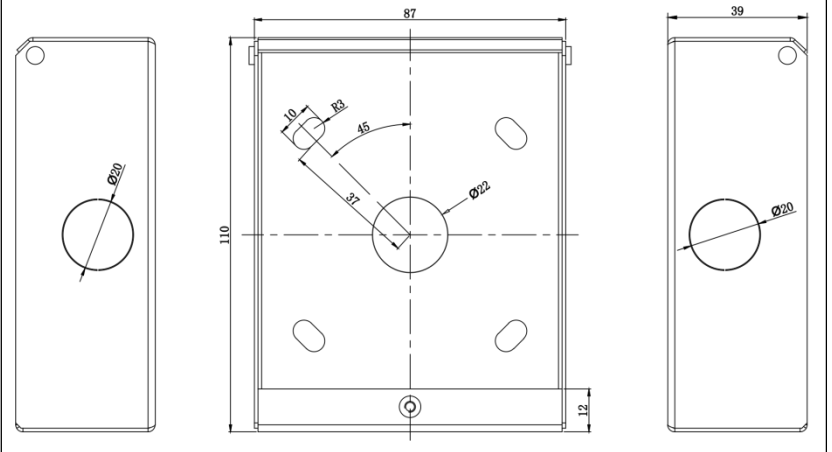
The module can be connected to Asenware conventional detector.



## Features

- ✓ Reliable communication protocol
- ✓ Two LEDs one is Green, which blinks in normal condition and another one is Red which becomes steady during fire alarm condition
- ✓ Remote test from Panel

## Installation



## Technical Specification

Model	AW-D110
Operating voltage	18~28VDC @Loop
Operating current(@Loop 24VDC)	Monitoring status≤5mA, Alarm status≤25mA
Wiring	The promise of two bus system(Loop in, Loop out)
Protection level	IP 30
Environmental	Temperature range: -10~50°C (14~122°F) Humidity: 5 to 95% RH, non-condensing
Mating host	AW-FP100 series fire alarm control panel
Size (L*W*H)	110mm* 87mm* 39mm
Weight	About 310g