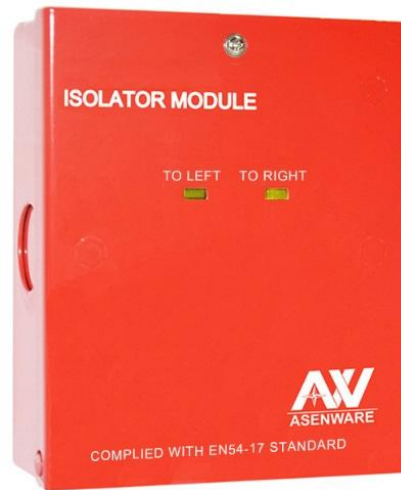


AW-D114 Isolator Module (hereinafter referred to as AW-D114), mainly used to isolate a short circuit on the bus (including Loop in addressable system and 24VDC in conventional system) to ensure normal operation.

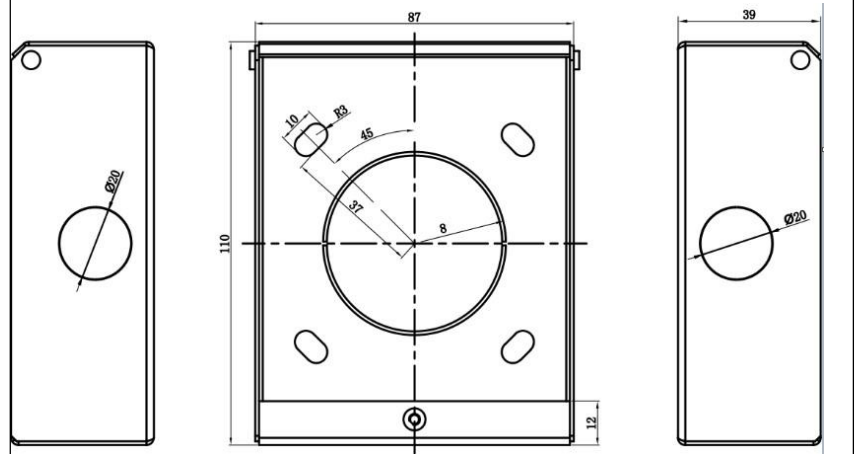
After elimination of the short circuit fault, AW-D114 can be isolated out their own part back into the system.



### Features

- ✓ Automatically resetting once the fault has cleared
- ✓ LED lights indicate status
- ✓ In the event of a short circuit isolates faulty parts of the loop
- ✓ Meets all requirements of latest EN54 part 17

### Installation



### Technical Specification

Model	AW-D114
Nominal Line Voltage ( $V_{NOM}$ )	24V
Standby Current	≤5mA
Maximum Line Voltage ( $V_{MAX}$ )	28V
Minimum Line Voltage ( $V_{MIN}$ )	16V
Maximum rated continuous current with the switch closed ( $I_{CMAX}$ )	3A
Maximum rated switching current ( $I_{SMAX}$ )	5A
Maximum leakage current with the switch open ( $I_{LMAX}$ )	20mA
Maximum series impedance with the switch closed ( $Z_{CMAX}$ )	0.15Ω