

HWT-D3250-10-SIU

1T 5MP AI IR Fixed Dome Camera

Indoor Application



Features

- ▶ 1TOPS computing power
- ▶ Supports multi-algorithm switchover, behavior analysis, crowd flow analysis, target detection, person detection, and object (motor vehicle, non-motorized vehicle, and pedestrian) classification
- ▶ Supports backlight adaptation, overcast adaptation, and speed adaptation
- ▶ 1/2.7" CMOS sensor
- ▶ Online loading and upgrade of algorithms
- ▶ 120 dB super wide dynamic range (WDR), ensuring that both foreground and background objects are clearly identified in environments with sharp light contrast
- ▶ Supports switchover among multiple algorithms

Technical Specifications

| Model | | HWT-D3250-10-SIU | | | | |
|----------------------|--------------------------------------|--|------|------|------|------|
| Major Specifications | | | | | | |
| Main control | Computing power | 1TOPS | | | | |
| | Memory | DDR3 1.0 GB | | | | |
| | Flash type | SPI NAND Flash 512.0 MB | | | | |
| | Max capacity | MicroSD card slot that supports microSDHC/microSDXC; maximum memory card capacity: 256 GB | | | | |
| Camera | Focal length | 2.8-12mm | | | | |
| | Max Aperture | F1.6 | | | | |
| | Image sensor | 1/2.7" CMOS/5MP 2560(H)*1920(V) | | | | |
| | Lens aperture type | Fixed iris | | | | |
| | Angle of view | Horizontal: 30.6° (T) to 94° (W); vertical: 24° (T) to 70° (W) | | | | |
| | IR range | 30m | | | | |
| | Digital Zoom/Optical Zoom | 16X/4X | | | | |
| | DORI (Complied to the EN 62676-4) | | D(m) | O(m) | R(m) | I(m) |
| | | W | 56.0 | 22.6 | 11.2 | 5.6 |
| T | | 240.0 | 96.8 | 48.0 | 24.0 | |
| Intelligence | | | | | | |
| Target/Body | Target | Target detection/Target attribute recognition | | | | |
| | Target recognition | Supported | | | | |
| | Person | Person detection | | | | |
| Vehicle | Vehicle analysis | Vehicle color/Vehicle type/Vehicle model | | | | |
| | Traffic flow statistics | Motor vehicle/Non-motorized vehicle/Pedestrian | | | | |
| Other intelligences | Behavior analysis | Fast movement/Tripwire crossing/Intrusion/Area entry or exit /Loitering/Battery Vehicle Detection | | | | |
| | Crowd flow analysis | Queue length/Head counting/Crowd flow statistics | | | | |
| | Non-motorized vehicle | Supported | | | | |
| | Multi-algorithm switchover | Supported | | | | |
| | Defocus | Supported | | | | |
| | Alarm information | No SD card; SD card full; SD card error; Network disconnection; Defocus detection; IP Address Conflict Detection | | | | |
| Open ecosystem | | | | | | |
| Algorithm openness | Open OS | Supported | | | | |
| Data openness | Data openness | SDK (proprietary protocol)/REST API (proprietary protocol)/GA/T 1400/GB/T 28181 (2011, 2016)/ONVIF Profile S/G/T | | | | |
| Image | | | | | | |
| Codec | Video encoding format | MJPEG/H.264/H.265 | | | | |
| | Video encoding channels | Triple streams | | | | |
| | Intelligent encoding | Extra265/264 | | | | |
| | Video frame rate | 5-megapixel: 20 fps; < 5-megapixel: 30 fps or 25 fps | | | | |

| | | |
|--|---|---|
| Image AI | Scene adaptation | Backlight adaptation/Overcast adaptation/Speed adaptation |
| | Min illumination | Color: 0.005 lux (F1.6, AGC ON); B/W: 0.0025 lux (F1.6, AGC ON) or 0 lux (infrared illuminator enabled) |
| Image ISP | Day/Night mode | Supported; automatic (ICR)/Color/B/W (default: automatic) Sensitivity level: high (default), medium, and low Image triggering /Internal triggering |
| | WDR | 120 dB |
| | White balance | Auto/Manual/OnePush |
| | HLC/BLC | Supported/Supported |
| | Digital noise reduction | 2D/3D noise reduction |
| | Shutter speed | The 1/3s to 1/68250s drop-down list box is added. The time can be manually set to 1/3, 1/4, 1/8, 1/12, or 1/15. Non-slow shutter level: 1/25,1/30,1/50,1/60,1/90,1/100,1/120,1/125,1/180,1/250,1/350,,1/500,1/725,1/1000,1/1500,1/2000,1/3000,1/4000,1/6000,1/10000,1/30000,1/100000;; Default value: 1/25 |
| | Signal-to-Noise Ratio(SNR) | >45dB |
| | Primary stream resolution | 2560×1920(5MP),2560×1440(4MP),2048×1536(3MP),1920×1080(1080P),1280×720(720P) |
| | Secondary stream resolution | Secondary stream 1:720 x 576 (PAL), 720 x 480 (NTSC), 352 x 288 (PAL), 352 x 240 (NTSC) Secondary stream 2:352 x 288 (PAL), 352 x 240 (NTSC) |
| | Video bit rate | Only for H.264 and H.265 1080P-4K 512Kbps - 16Mbps 720P 384Kbps - 8Mbps D1 256K - 4Mbps CIF 32K - 1Mbps |
| | Smart Illumination | Not Supported |
| Optical Defogging/Algorithm-assisted Defogging | Supported/Supported | |
| EIS | Supported Sensitivity levels are not supported. | |

| Audio | | |
|-------|-----------------------|--|
| Audio | Audio Encoding Format | G.711a/G.711u/G.726/OPUS |
| | Audio sampling rate | G.711a/G.711u/G.726:8K OPUS:8K/12K/16K/24K/48K |
| | Audio bit rate | G.711a/G.711u:64kbps G.726:16 kbit/s, 24 kbit/s, 32 kbit/s, or 40 kbit/s 16/24/32/40/64/96/128/160/192/224/256/288Kbps: configurable |

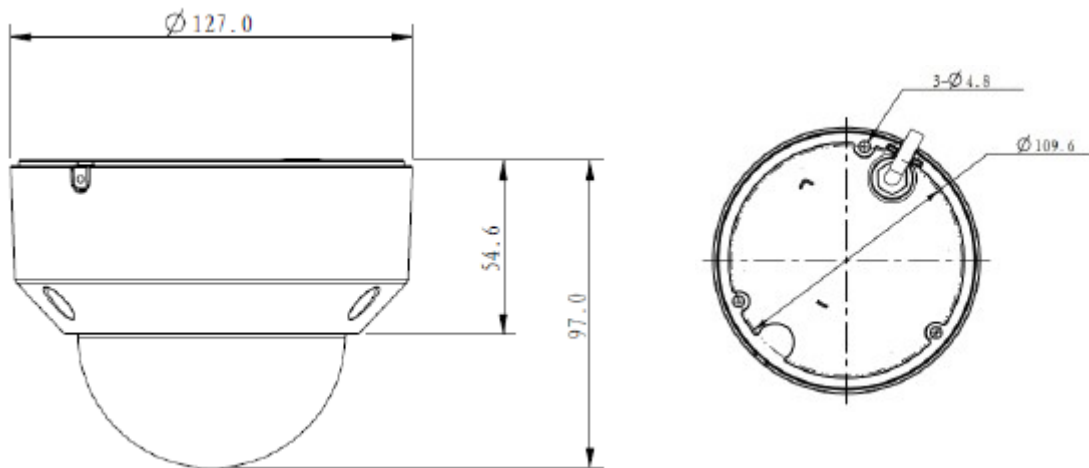
| Networking | | |
|----------------------|-----------------------------|---|
| Network transmission | Protocols supported by IPv4 | TCP, UDP, IPv4, DHCP, DNS, ICMP, IGMP, HTTPS, FTP, SFTP, RTP, RTSP, RTCP, SIP, ARP, SSL, NTP, SNMP (V1/V2/V3), 802.1x, QoS, and PPPoE. Note: The northbound protocol needs to adapt to the PPPoE dialup scenario. |
| | Protocols supported by IPv6 | HTTPS,RTP,RTCP,RTSP,Onvif,IPv6,ICMPv6,DHCPv6 |

| Security | | |
|------------------|----------------------------|--|
| Data security | Media security | Supports web- or SDK-based media stream encryption; supports a maximum of two channels of encrypted media streams; supports encrypted data storage on SD cards |
| | Image digital watermark | Supported |
| Service security | User rights | Three user roles: administrator, advanced operator, and common operator |
| | Security mode | User name and password authentication, 802.1X authentication, and HTTPS digital certificate |
| | Secure boot | Supported |
| | System intrusion detection | Supported |

| Port | |
|---------------------------|---|
| Storage port | MicroSD card slot that supports microSDHC/microSDXC; maximum memory card capacity: 256 GB |
| Alarm port | 2 input ports and 1 output port |
| Network port | One RJ45 10M/100M adaptive Ethernet port |
| Communication serial port | RS-485 port |
| Audio port | Supported (one-channel LINE IN and one-channel built-in MIC)/Supported (one-channel LINE OUT) |

| General Specifications | |
|--------------------------|---|
| Power type | 12 V DC and PoE (IEEE 802.3af) |
| Power consumption | Maximum: 10 W; typical: 3.5 W |
| Operating temperature | -30°C to +60°C |
| Operating humidity | 5% to 95% (non-condensing) |
| Surge protection | 4 kV |
| IP rating | IP67 |
| Equipment Anti Corrosion | Class C corrosion resistance |
| IK rating | IK10 |
| Weight | Net weight 0.8 kg; Gross weight 1kg |
| Dimensions | Device dimensions \varnothing 127 mm x 97 mm; Package dimensions 112 mm x 147 mm x 147 mm |

Dimensions



Recommended Accessories



ACC3311



ACC3321



ACC3231

HOLOWITS Contact

Address : 6 Temasek Boulevard, 29th Floor, Suntec Tower Four, Singapore
038986

Web : www.hollowits.com

Copyright 2022. All rights reserved © HOLOWITS TECHNOLOGIES PTE. LTD.
No part of this document may be reproduced or transmitted in any form or by any means without prior written consent of HOLOWITS TECHNOLOGIES PTE. LTD.

General Disclaimer

The information in this document may contain predictive statements including, without limitation, statements regarding the future financial and operating results, future product portfolio, new technology, etc. There are a number of factors that could cause actual results and developments to differ materially from those expressed or implied in the predictive statements. Therefore, such information is provided for reference purposes only and constitutes neither an offer nor an acceptance. HOLOWITS may change the information at any time without notice.



Product selector

Scan the QR code on the right to view and compare specifications of HOLOWITS products and select the best camera for you.