

## DS-3E0106HP-E

### 4-Port 100 Mbps Long-Range Unmanaged PoE Switch

DS-3E0106HP-E switches are layer 2 100 Mbps long-range PoE switches, providing 1 × 10/100 Mbps Hi-PoE port, 3 × 10/100 Mbps PoE ports, and 2 × 10/100 Mbps RJ45 ports. The switches provide advanced Hi-PoE/PoE technology and support extend mode with long-range access up to 300 m. The prior and stable transmission of the important surveillance area videos can also be guaranteed when connected to the high priority ports. Meanwhile, the 2 × 10/100 Mbps RJ45 uplink ports guarantee applications of multiple network solutions.



Intelligent PoE



300 m Transmission



802.3bt Hi-PoE



8-Core Power Supply



6 KV Surge Protection



High Priority Ports

## Feature and Function

### Intelligent PoE Management.

- When the power supply exceeds the limit, PoE ports intelligently manage the power supply, which extends the switch lifetime.

### Up to 300 m Long Range PoE Transmission.

- The distance between IPCs and switch can reach maximum 300 meters.

### IEEE 802.3bt Standard Hi-PoE, Max. 60 W for One Port.

- IEEE 802.3bt standard Hi-PoE port provides max. 60 W power supply for high power devices such as domes or other 802.3bt devices.

### 4/8-Core Adaptive Power Supply with Less Power Loss.

- 8-core power supply reduces the power loss on cables.

### 6KV Surge Protection to Improve Reliability in Harsh Environment.

- The built-in surge protection device protects the switch from the sudden lightning surge in harsh environment.

### Design for Video Transmission.

- VIP port ensures important data transmission when network congestion occurs.

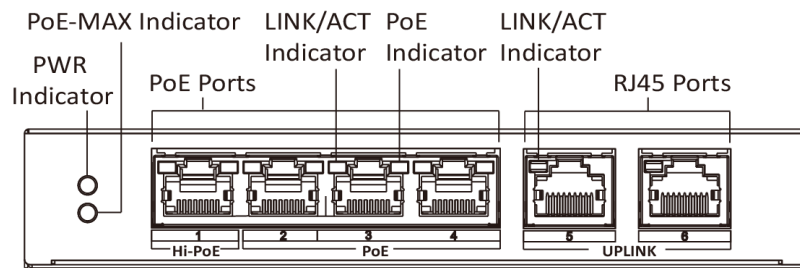


## Specification

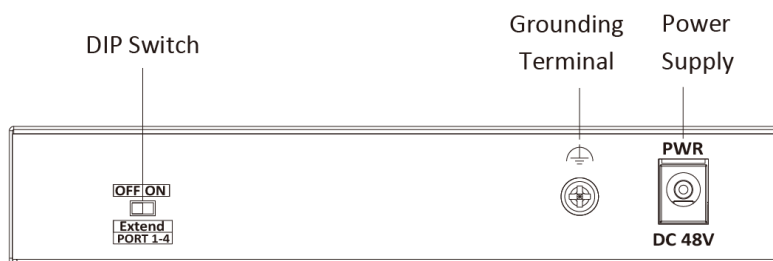
Model		DS-3E0106HP-E
Network parameters	Port number	1 × 10/100 Mbps Hi-PoE port, 3 × 10/100 Mbps PoE ports, and 2 × 10/100 Mbps RJ45 ports
	Port type	RJ45 port, full duplex, MDI/MDI-X adaptive
	Standard	IEEE 802.3, IEEE 802.3u, IEEE 802.3x
	Forwarding mode	Store-and-forward switching
	Working mode	Standard mode (default); Extend mode
	High priority port	Ports 1 to 2
	Ports for long-distance transmission	Ports 1 to 4
	MAC address table	2 K
	Switching capacity	1.2 Gbps
	Packet forwarding rate	0.893 Mpps
	Internal cache	768 Kbits
	PoE power supply	PoE standard
PoE power pin		Support 8-core power supply, Ethernet cable 1/2/3/6 and 4/5/7/8 provide power supply simultaneously.
PoE port		Ports 1 to 4
Max. port power		Port 1: 60 W Ports 2 to 4: 30 W
PoE power budget		60 W
Max. power consumption		65 W
General	Shell	Metal material, fan-free design
	Gross weight	0.77 kg (1.70 lb)
	Net weight	0.24 kg (0.53 lb)
	Dimension (L × H × D)	145 mm × 25.6 mm × 68.45 mm (5.7" × 1.0" × 2.7")
	Operating temperature	-10 °C to 55 °C (14 °F to 131 °F)
	Storage temperature	-40 °C to 85 °C (-40 °F to 185 °F)
	Operating humidity	5% to 95% (no condensation)
	Storage humidity	5% to 95% (no condensation)
	Power supply	48 VDC, 1.35 A
Power consumption in idle	5 W	
Approval	EMC	FCC (47 CFR Part 15, Subpart B); CE-EMC (EN 55032: 2015, EN 61000-3-2: 2014, EN 61000-3-3: 2013, EN 55024: 2010 +A1: 2015); RCM (AS/NZS CISPR 32: 2015); IC (ICES-003: Issue 6, 2016)
	Safety	UL (UL 60950-1); CB (IEC 60950-1:2005 + Am 1:2009 + Am 2:2013); CE-LVD (EN 60950-1:2005 + Am 1:2009 + Am 2:2013)
	Chemistry	CE-RoHS (2011/65/EU); WEEE (2012/19/EU); Reach (Regulation (EC) No 1907/2006)

## Physical Interface

Front panel:



Back panel:



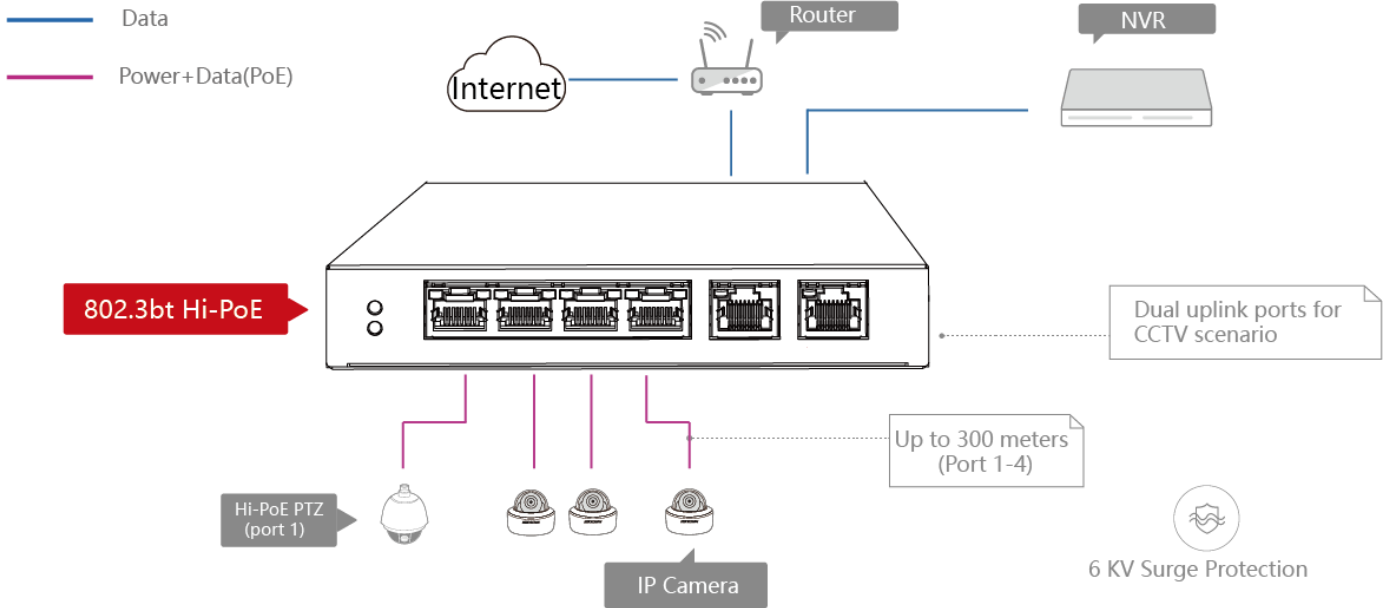
## Available Model

DS-3E0106HP-E

## Dimension (unit: mm)



## Typical Application



Distributed by

