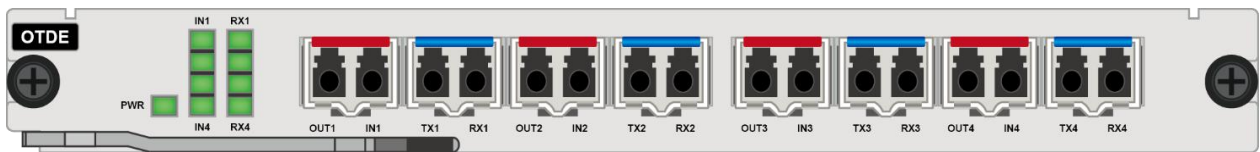


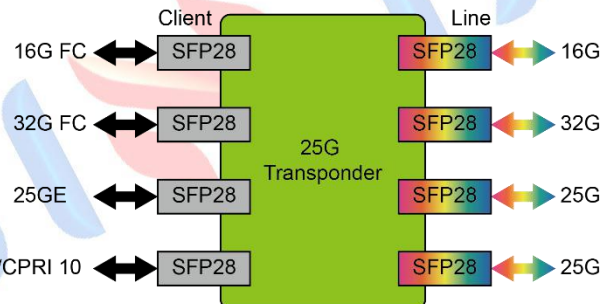
25G OTU: 8*SFP28

25G OTU service card launched by Sintai Communication Co., Ltd supports four types of service access with 16 to 32G rates. Its main function is to finish the 3R regeneration of any 4-channel signals under any protocol within the rate of 25 Gbit/s to be accessed, and then convert them to optical signals of a standard DWDM wavelength or standard CWDM wavelength, so that the multiplexing unit can conduct WDM for optical signals of different wavelengths and also achieve the inverse process of the above process. It's applicable to the wavelength division transmission solution for 25G rate services, and compatible with 16G or 32G FC.

Product diagram



Functional structure



Product specification

Function	Note
interface	<ul style="list-style-type: none"> Client-side interface: 4 SFP28 hot-pluggable WDM-side interface: 4 SFP28 hot-pluggable
Line mode	Supports transparent transmission of any type of service in four 16G~32G rate ranges, and converts four service optical signals into four WDM standard wavelength optical signals.
Relay mode	Support 16G~32G wavelength electrical relay

Support service type	<ul style="list-style-type: none">● 25GE● 16G FC(compatible 32G)● ECPRI、CPRI 10
Adaptive	16~32G rate adaptive, configuration free
WDM technology	<ul style="list-style-type: none">● Support CWDM: 18 waves● Support DWDM: C band 50GHz 80 waves
Occupied slot number	Support OTNS8600 series chassis, occupy 1 slot
Network management function	<ul style="list-style-type: none">● Support real time monitoring of the port working state, including: transmitting optical power and receiving optical power, temperature, etc.● Support port loop back and port shutdown
Power consumption	16W (max, including transceiver)
MTBF	>100000 hours