



conteúdo do pacote



UniFi Protect ViewPort



Suporte de montagem



Fita dupla face



Cabo HDMI



Parafuso M6



Parafuso M8



Parafusos de drywall (Qtd. 2)

Ancoragens de parafuso
(Qtd. 2)

Requisitos de sistema

- Aplicativo UniFi Protect v1.13 ou superior, disponível em ui.com/downloads/unifi

Requerimentos de instalação

- chave Phillips
- Broca e broca de 6 mm (1/4") para âncoras de drywall
- Broca e broca de 6 mm (1/4") ou broca de 8 mm (5/16") para parafusos



terra CA do PoE.

Visão geral do hardware



1 LED de energia/status

Branco sólido	Pronto para configuração.
Azul	O dispositivo foi adotado pelo aplicativo UniFi Protect.
Alternando Azul/Branco	O dispositivo está inicializando.

2 Porta principal



3 Porta HDMI

Esta porta HDMI se conecta a uma TV ou monitor com um cabo HDMI. Ele suporta telas 1080p e 4K.

4 Porta Secundária

Esta porta RJ45 10/100/1000 funciona como uma porta de passagem de dados.

5 Botão de reset

Restaurar os padrões de fábrica Pressione e segure o botão Reset por 5 segundos enquanto o dispositivo está ligado. Solte o botão Reset quando o LED desligar.

Instalação de hardware

Mounting the UniFi Protect ViewPort is optional; it allows the device to be installed in an inconspicuous and safe location. You have three options for mounting:

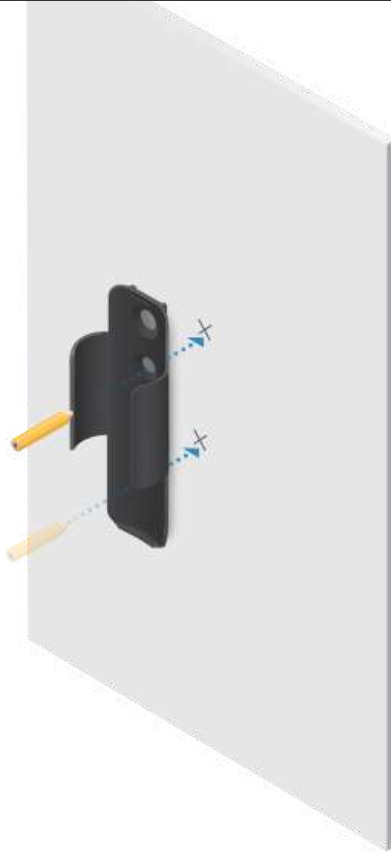
- [Wall Mount](#) Mount the ViewPort onto a drywall surface.
- [TV VESA Mount](#) Mount the ViewPort to the back of your TV/monitor using the available VESA mounting hole(s).
- [TV Surface Mount](#) Attach the ViewPort to the TV/monitor or other surface using the included double-sided tape.

Wall Mount

1.



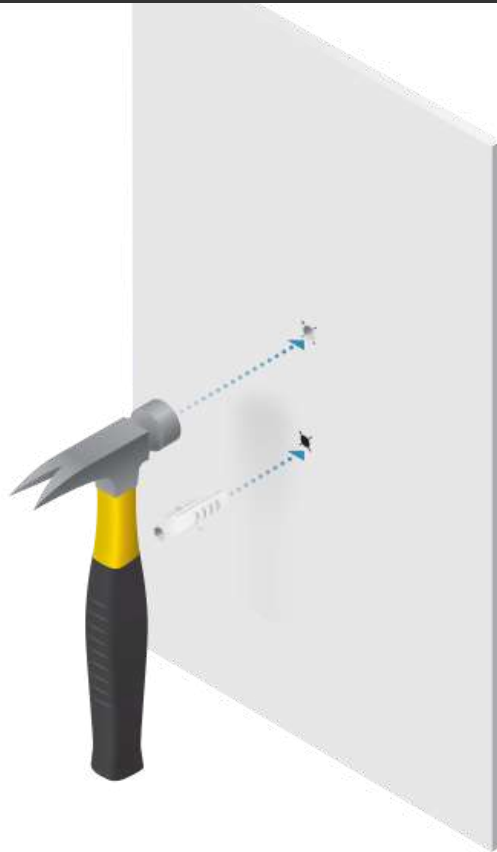
Guia de início rápido UFP-VIEWPORT



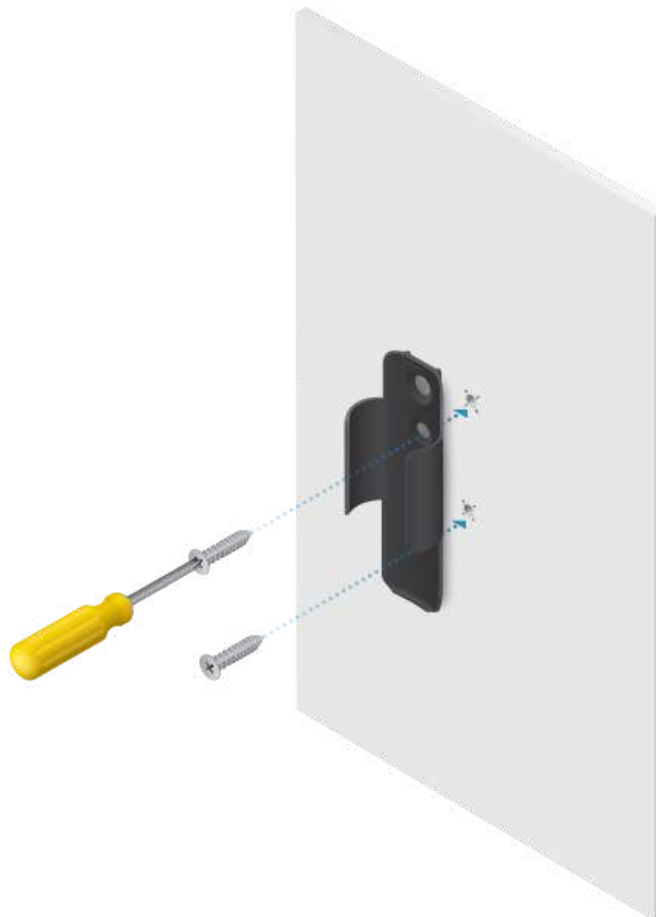
2.



3.



4.



5.



TV VESA Mount

You can use this option if your TV or monitor is equipped with a VESA mount that uses M6 or M8 screws.

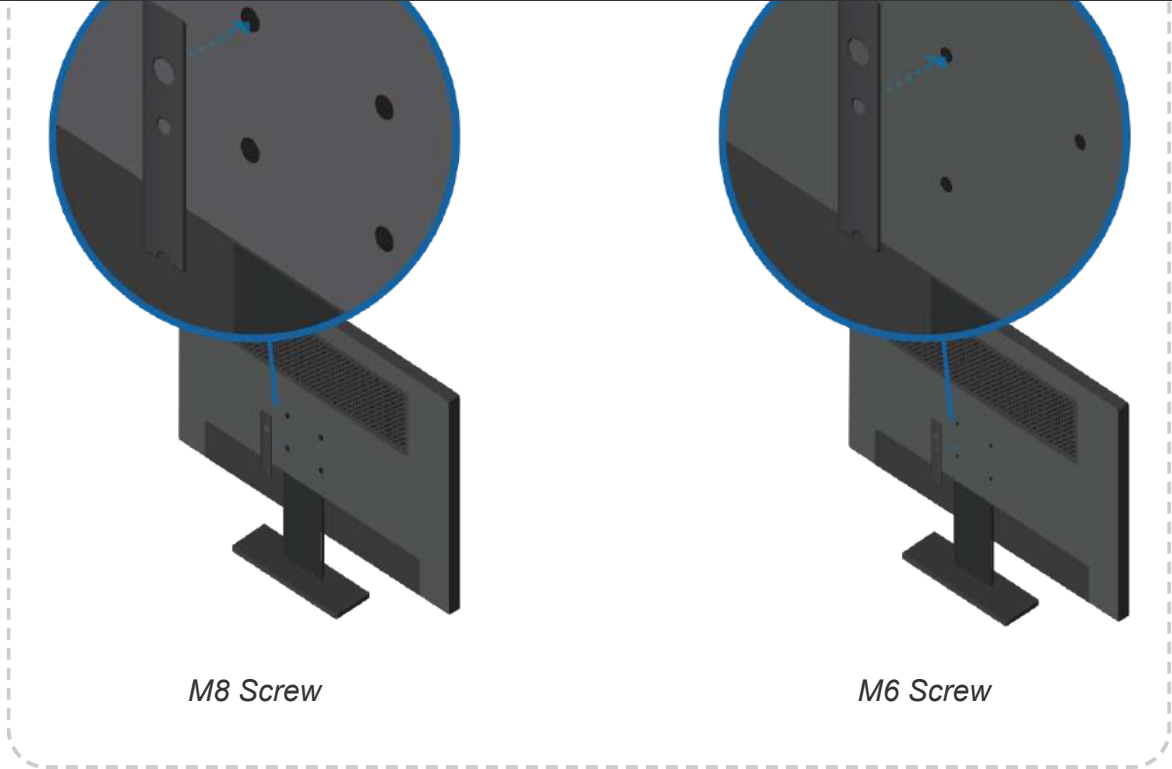
1.

Optional
(for permanent mounting)

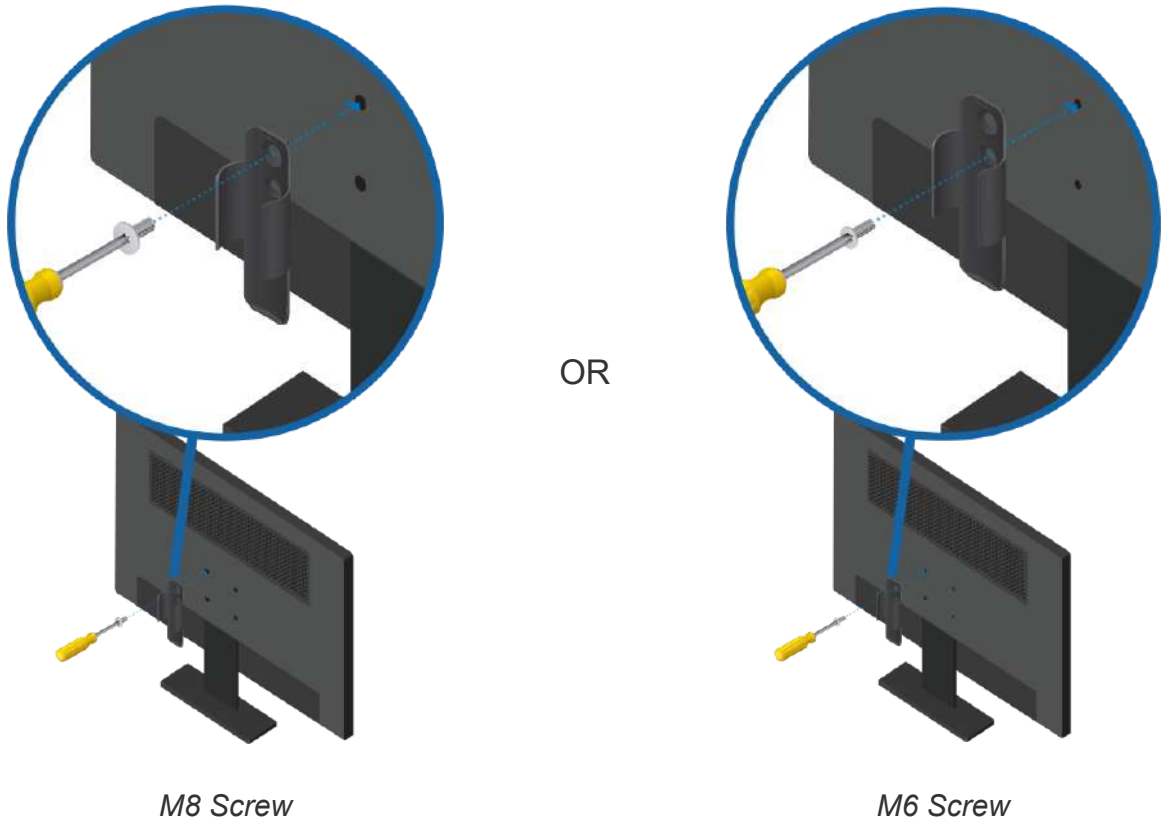


OR

☰ Guia de início rápido UFP-VIEWPORT



2.



3.



TV Surface Mount

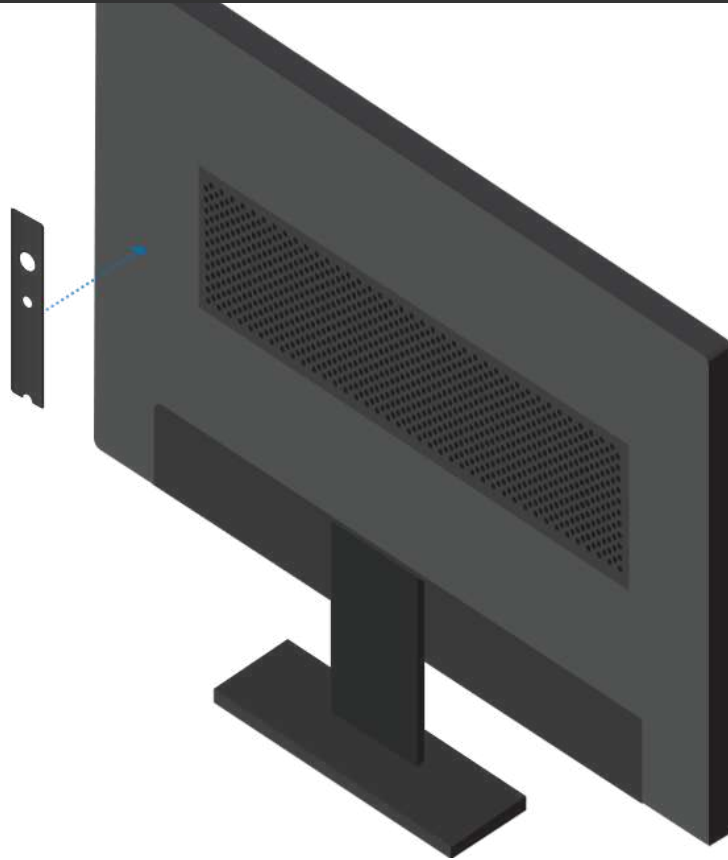
1.



2.



Guia de início rápido UFP-VIEWPORT



3.



4.



Connecting the ViewPort

1.



2.



WARNING: The switch port must comply with the power specifications listed in [“Specifications”](#).



Guia de início rápido UFP-VIEWPORT



Note: The PoE switch must be connected to the same LAN or VLAN as the UniFi Protect Application.

3.



4. Follow the instructions on the TV or monitor. (If nothing is displayed, check the power source to the device.)



Guia de início rápido UFP-VIEWPORT

6. When UniFi Protect detects the ViewPort, click Add Device.

Specifications

UFP-VIEWPORT	
Dimensions (With TV Mount)	156.9 x 52 x 37.35 mm (6.18 x 2.0 x 1.47")
Weight	
Without TV Mount	230 g (8.11oz)
With TV Mount	252 g (8.89 oz)
Enclosure	Polycarbonate
Networking Interface	10/100/1000 Ethernet Port
Management Interface	UniFi Protect Application
Max. Power Consumption	9.5W
Power Method	802.3af PoE
Button	Reset/Factory Reset
LED	Power/Status
ESD/EMP Protection	Air: ± 8 kV, Contact: ± 4 kV
Operating Temperature	0 to 40° C (32 to 104° F)
Operating Humidity	20 to 80% Noncondensing
Certifications	CE, FCC, IC

Safety Notices

1. Read, follow, and keep these instructions.
2. Heed all warnings.
3. Only use attachments/accessories specified by the manufacturer.



WARNING: Do not use this product in location that can be submerged by water.



WARNING: Avoid using this product during an electrical storm. There may be a remote risk of electric shock from lightning.

Electrical Safety Information

1. Compliance is required with respect to voltage, frequency, and current requirements indicated on the manufacturer's label. Connection to a different power source than those specified may result in improper operation, damage to the equipment or pose a fire hazard if the limitations are not followed.
2. There are no operator serviceable parts inside this equipment. Service should be provided only by a qualified service technician.



ui.com/support/warranty

The limited warranty requires the use of arbitration to resolve disputes on an individual basis, and, where applicable, specify arbitration instead of jury trials or class actions.

Compliance

FCC

Changes or modifications not expressly approved by the party responsible for compliance could void the user's authority to operate the equipment.

This device complies with Part 15 of the FCC Rules. Operation is subject to the following two conditions.

1. This device may not cause harmful interference, and
2. This device must accept any interference received, including interference that may cause undesired operation.

This equipment has been tested and found to comply with the limits for a Class B digital device, pursuant to Part 15 of the FCC Rules. These limits are designed to provide reasonable protection against harmful interference in a residential installation. This equipment generates, uses, and can radiate radio frequency energy and, if not installed and used in accordance with the instructions, may cause harmful interference to radio communications. However, there is no guarantee that interference will not occur in a particular installation. If this equipment does cause harmful interference to radio or television reception, which can be determined by turning the equipment off and on, the user is encouraged to try to correct the interference by one or more of the following measures:

- Reorient or relocate the receiving antenna.
- Increase the separation between the equipment and receiver.
- Connect the equipment into an outlet on a circuit different from that to which the receiver is connected.
- Consult the dealer or an experienced radio/TV technician for help.

This radio transmitter (FCC ID: SWX-UFPVP) has been approved by FCC.

ISED Canada

CAN ICES-3(B)/NMB-3(B)

This device complies with ISED Canada licence-exempt RSS standard(s). Operation is subject to the following two conditions:

1. This device may not cause interference, and
2. This device must accept any interference, including interference that may cause undesired operation of the device.

This radio transmitter (IC: 6545A-UFPVP) has been approved by ISED Canada.

CAN ICES-3(B)/NMB-3(B)

Le présent appareil est conforme aux CNR d'ISDE Canada applicables aux appareils radio exempts de licence. L'exploitation est autorisée aux deux conditions suivantes :



Guia de início rápido UFP-VIEWPORT

susceptible d'en compromettre le fonctionnement.

Le présent émetteur radio (IC : 6545A-UFPVP) a été approuvé par ISDE Canada.

IMPORTANT NOTE:

Radiation Exposure Statement:

- This equipment complies with radiation exposure limits set forth for an uncontrolled environment.
- This equipment should be installed and operated with minimum distance 20 cm between the radiator and your body.
- This transmitter must not be co-located or operating in conjunction with any other antenna or transmitter.

AVIS IMPORTANT :

Déclaration sur l'exposition aux rayonnements :

- Cet équipement est conforme aux limites prévues pour l'exposition aux rayonnements dans un environnement non contrôlé.
- Lors de l'installation et de la mise en fonctionnement de l'équipement, assurez-vous qu'il y ait une distance minimale de 20 cm entre l'élément rayonnant et vous.
- Cet émetteur ne doit être installé à proximité d'aucune autre antenne ni d'aucun autre émetteur, et ne doit être utilisé conjointement à aucun autre de ces appareils.

Australia and New Zealand



Brazil



Nota: Este equipamento não tem direito à proteção contra interferência prejudicial e não pode causar interferência em sistemas devidamente autorizados.

CE Marking

CE marking on this product represents the product is in compliance with all directives that are applicable to it.



Country List

AT	BE	BG	CY	CZ	DE	DK	EE	EL	ES	FI	FR	HR	HU
IE	ISTO	LV	LT	LU	MT	NL	PL	PT	RO	SE	SI	SK	Reino Unido



Nota: Este dispositivo atende a Max. Limite de potência TX de acordo com os regulamentos ETSI.

[Declaração de Conformidade WEEE](#)

[Declaração de conformidade](#)

Recursos online



© 2022 Ubiquiti Inc. Todos os direitos reservados.