

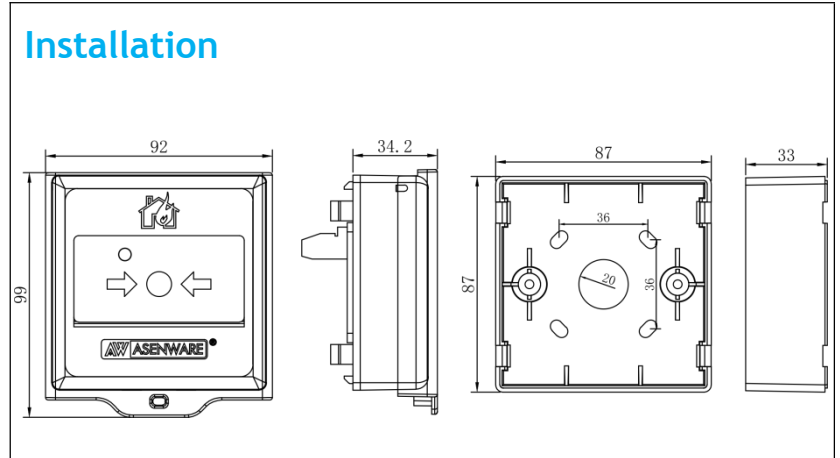
The AW-D135A addressable manual call point is mainly designed to be use with an intelligent two-bus control system. If it is pressed after a fire is manually confirmed, an alarm signal may be sent to a fire alarm control system which will, after receiving the alarm signal, display the coded address and the equipment status of the manual fire call points. The AW-D135A supports electronic coding, more suitable for engineering application convenient.



Features

- ✓ Semi-flush or surface mounting
- ✓ Simple key to reset operating element (no broken glass)
- ✓ Full electronic coding
- ✓ LED indicator
- ✓ Complete functional test with every activation
- ✓ Meets all requirements of latest EN54 part 11

Installation



Technical Specification

Model	AW-D135A
Main Voltage	Loop 24V
Operating current	monitoring status $\leq 2\text{mA}$, alarm status $\leq 15\text{mA}$
Application	For indoor use only
Wiring	The promise of two bus system(Loop In+, Loop In -)
Protection class	IP30
Indicator	Red alarm indicator flashes when it is under normal condition, press the manual button lit work
Environmental	Class A temperature range: -5 to 40°C ($23\sim 104^{\circ}\text{F}$) Humidity: 5 to 95% RH, non-condensing
Materials and colors	ABS, red
Mating Panel	AW-FP100 addressable fire alarm control panel
Encoding	address from 1 to 250 optional
Size	99mm* 92mm* 66mm (with cover)
Weight	about 95g