

NKS422W03H Wi-Fi Kit



Key Feature

- Easy and quick wireless installation
- All cameras can be linked with NVS at one time
- Secure and integrated video storage, all videos are stored in NVS
- Up to 512 GB Micro SD card storage capacity
- Remote mobile phone management, all functions can be performed through Hik-Connect, such as camera adding, two-way audio, live view, playback, etc.
- Accurate motion detection function
- Smart IR and white light
- Built-in mic and speaker for two-way audio
- 1 fixed PT turret camera and 1 fixed Speed Dome camera, both with 2 MP resolution and 2.8 mm focal length

▪ Specification

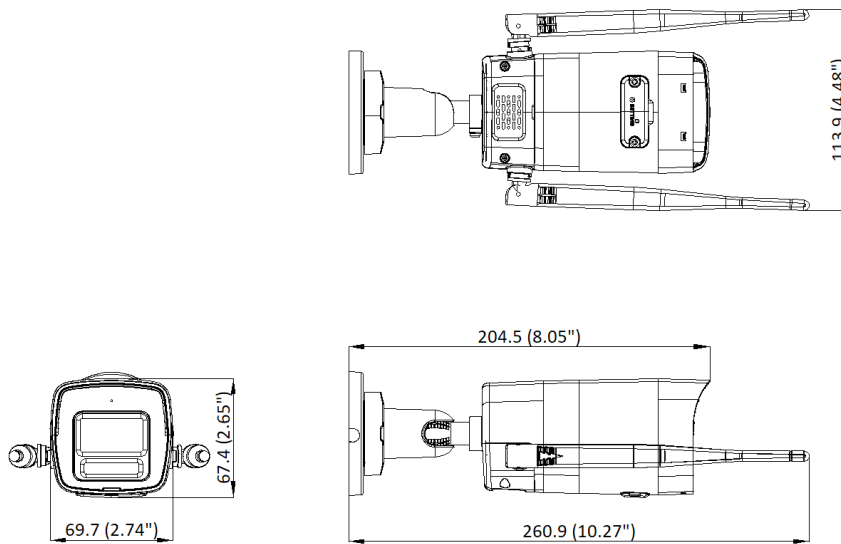
Camera	
Lens	
Focal Length	2.8 mm
Aperture	F2.0
Focus	Fixed
FOV	Horizontal FOV 101°, vertical FOV 56°, diagonal FOV 118°
IR	
IR Range	Bullet : Up to 30 m Dome : White light distance: up to 25 m,IR distance: up to 25 m
Compression Standard	
Video Compression	H.265,H.264,MJPEG
H.264 Type	Baseline Profile/Main Profile/High Profile
H.265 Type	Main Profile
Video Bit Rate	32 Kbps to 8 Mbps
Audio Compression	G.711/AAC-LC
Audio Bit Rate	64 Kbps (G.711ulaw)/16 to 64 Kbps (AAC-LC)
Audio Sampling Rate	8 kHz/16 kHz
Environment Noise Filtering	Yes
Image	
Max. Resolution	2MP
Main Stream	50 Hz: 25 fps (1920 × 1080, 1280 × 720, 768 × 432) 60 Hz: 30 fps (1920 × 1080, 1280 × 720, 768 × 432)
Sub-stream	50 Hz: 25 fps (768 × 432) 60 Hz: 30 fps (768 × 432)
Image Setting	Saturation,brightness,contrast,sharpness,gain,white balance,adjustable by client software or web browser
Day/Night Switch	Auto/Scheduled/Day/Night
Network	
Alarm Trigger	Motion detection (support alarm triggering by specified target types (human and vehicle)),video tampering alarm,exception
Protocols	TCP/IP, ICMP, DHCP, DNS, HTTP, RTP, RTCP, RTSP, NTP, IGMP, IPv6, UDP, QoS, UPnP
General Function	One-key reset, heartbeat, mirror, password protection, privacy mask, watermark, IP address filter
Interface	
Communication Interface	1 RJ45 10M/100M self-adaptive Ethernet port
Reset Button	Yes
General	
Power Supply	Bullet: 12 VDC ± 25%, 0.5 A, max. 6 W,Ø5.5 mm coaxial power plug,reverse polarity protection,A switching adapter is included in the package. Dome: 12 VDC ± 25%, reverse polarity protection, 0.75 A, max. 9 W, Ø5.5 mm coaxial power plug
Consumption	Bullet: ≤ 6 W Dome: ≤ 9 W

Working Temperature	Bullet: -30 °C to 60 °C (-22 °F to 140 °F) Dome: -10 °C to 40 °C (-14 °F to 104 °F)
Working Humidity	95% or less (non-condensing)
Dimension (W × D × H)	Bullet: 260.9 mm × 113.9 mm × 67.4 mm (10.3" × 4.5" × 2.7") Dome: Ø124 mm × 119 mm (Ø4.89" × 4.68")
Weight	Bullet: 305 g (0.67 lb.) Dome: 600 g (1.32 lb.)
Others	
Camera Case Type	Bullet,Dome
Image Sensor	1/3" Progressive Scan CMOS
Min. Illumination	Bullet : Color: 0.01 Lux @ (F2.0, AGC ON),B/W: 0 Lux with IR Dome :Color: 0.04 Lux @ (F2.0, AGC ON),B/W: 0.01 Lux @ (F2.0, AGC ON),0 Lux with IR
Day &Night	IR cut filter
WDR	DWDR
Angle Adjustment	Bullet: Pan: 0° to 360°,tilt: 0° to 90°,rotate: 0° to 360° Dome: Pan: 0° to 345°,tilt: 0° to 80°
Protection Level	IP66
Wi-Fi Support	Yes
NVS	
Video and Audio	
IP Video Input	4-ch
Incoming/Outgoing Bandwidth	20 Mbps/20 Mbps
Decoding	
Video Resolution	6 MP/5 MP/4 MP/3 MP/1080p/UXGA /720p/VGA/4CIF/DCIF/ 2CIF/CIF/QCIF
Synchronous Playback	1-ch
Network	
Network Interface	1, RJ45 10/100M Ethernet interface
Wi-Fi	
Frequency Band	2.4 GHz
Antenna Structure	High gain antenna
Transmission Speed	150 Mbps
Transmission Standard	IEEE 802.11b/g/n/ax
Auxiliary Interface	
SD Card	32G/64G/128G/256G/512G
General	
Power Supply	12 VDC
Consumption (without HDD and PoE off)	≤ 6 W
Working Temperature	-10 °C to 55 °C (14 °F to 131 °F)
Working Humidity	10% to 90%
Dimension (W × D × H)	163 x 125 x 26 mm (6.4" × 4.9" × 1.0")
Weight (without hard disk)	≤ 500g
Kit	
Accessories	Power adaptor: 2 × IPC power adaptor, 1 × NVS power adaptor Ethernet cable: RJ45, Cat5e UTP, 1 m

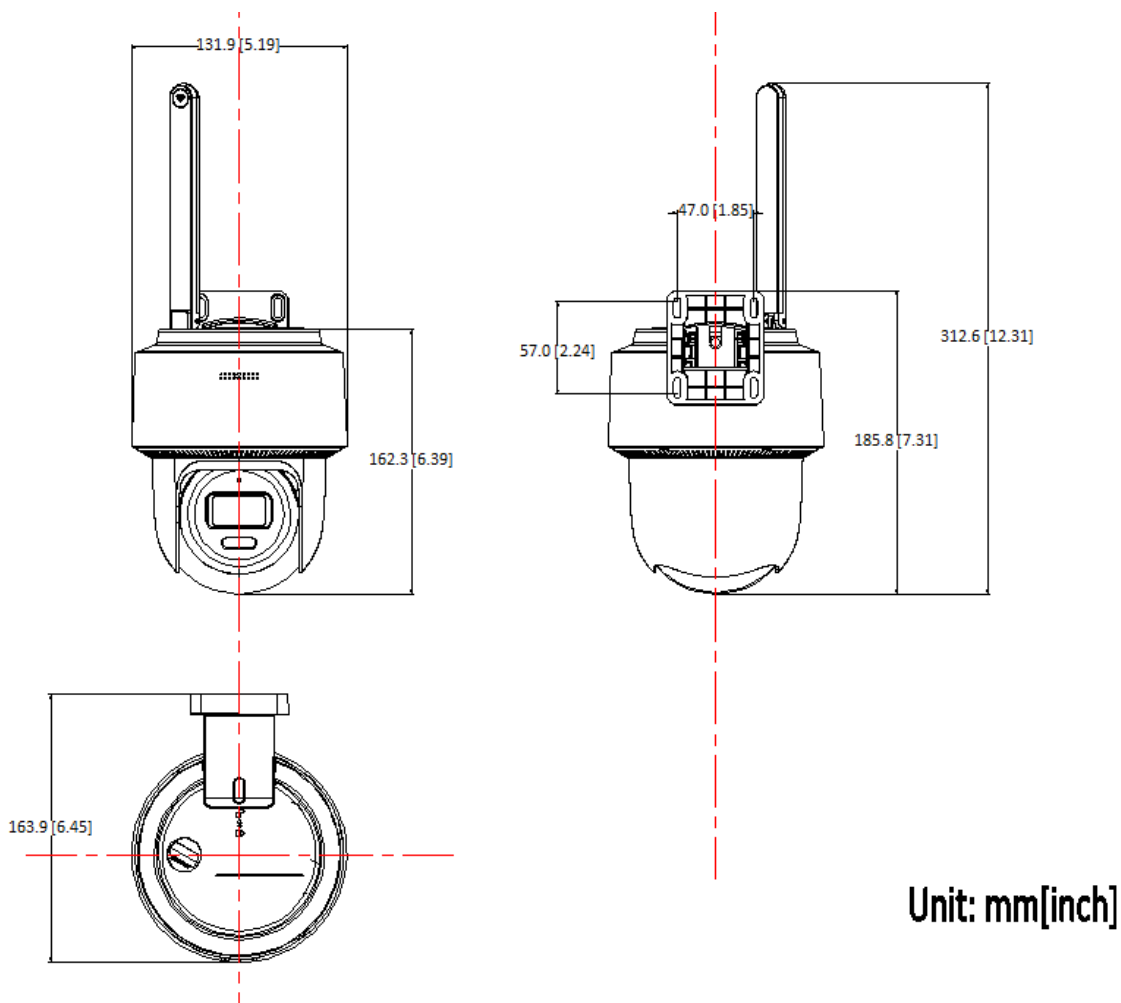
Certification	CB, CE
Weight (with package)	≤ 2.5 kg (5.5 lb)

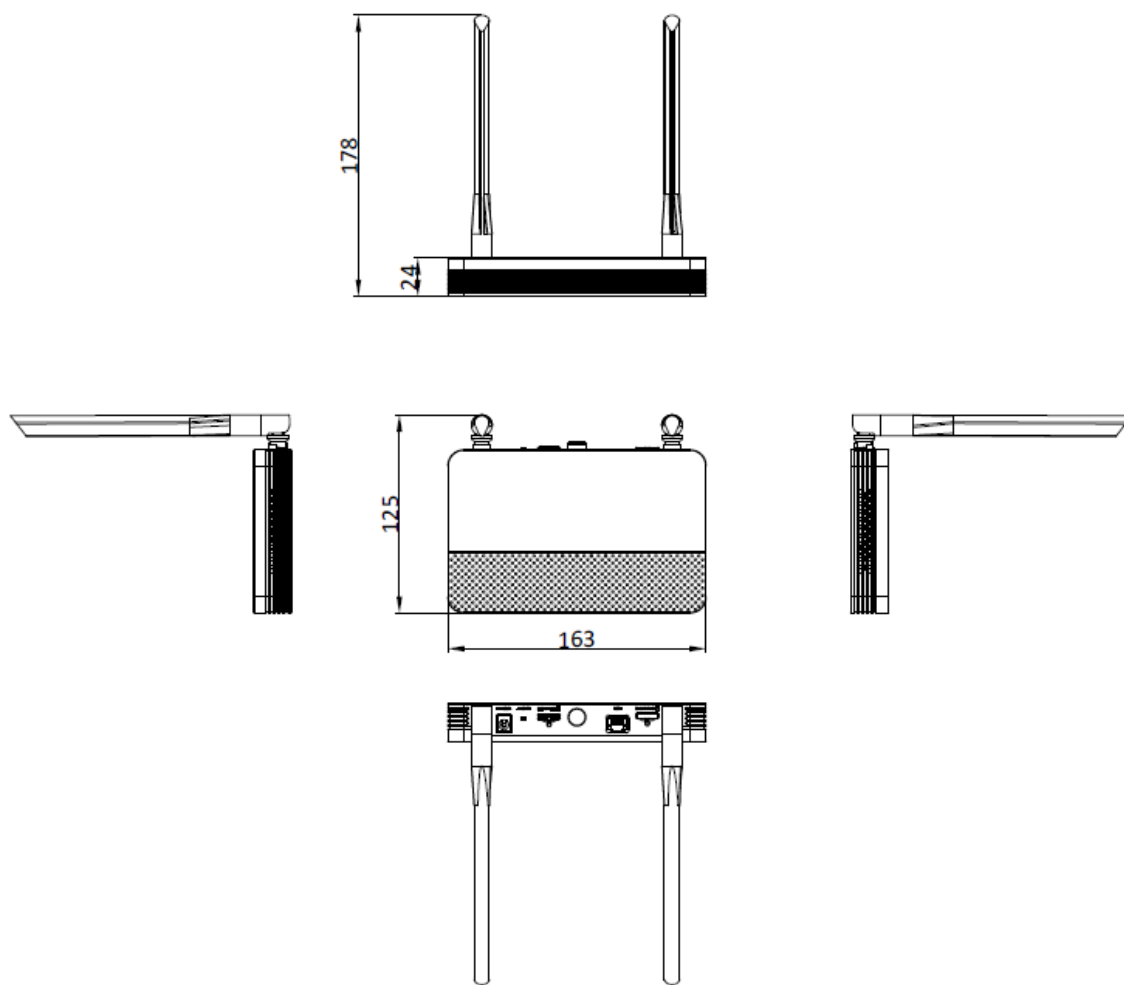
▪ Available Model

NKS422W03H

▪ Dimension

Unit: mm (inch)





scale/1:1;Unit/mm