

DS-2CE79D0T-VFIT3F(C) 2 MP Manual Varifocal Turret Camera



- High quality imaging with 2 MP, 1920 × 1080 resolution
- 2.7 mm to 13.5 mm varifocal lens
- Up to 40 m IR distance for bright night imaging
- One port for four switchable signals (TVI/AHD/CVI/CVBS)
- Water and dust resistant (IP67)



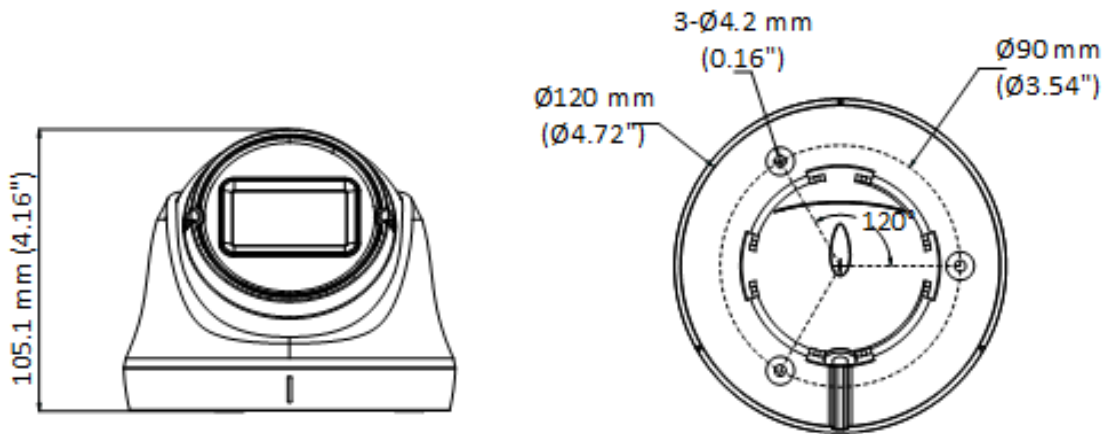
▪ Specification

Camera	
Image Sensor	2 MP CMOS
Signal System	PAL/NTSC
Resolution	1920 (H) × 1080 (V)
Frame Rate	TVI: 1920 × 1080 @ 30 fps, 1080P @ 25 fps AHD: 1920 × 1080 @ 30 fps, 1080P @ 25 fps CVI: 1920 × 1080 @ 30 fps, 1080P @ 25 fps CVBS: PAL/NTSC
Min. Illumination	0.01 Lux @ (F1.2, AGC ON), 0 Lux with IR
Shutter Time	PAL: 1/25 s to 1/50,000 s; NTSC: 1/30 s to 1/50,000 s
Lens	2.7 mm to 13.5 mm varifocal lens
Field of View	Horizontal FOV: 100° to 30°, vertical FOV: 52° to 17°, diagonal FOV: 116° to 34.5°
Lens Mount	Ø14
Day & Night	Color & ICR
WDR (Wide Dynamic Range)	Digital WDR
Angle Adjustment	Pan: 0° to 360°, Tilt: 0° to 75°, Rotation: 0° to 360°
Image	
Day/Night Mode	Auto/Color/BW (Black and White)
Image Mode	STD/HIGH-SAT
AGC	Yes
White Balance	Auto/Manual
AE (Auto Exposure) Mode	DWDR, BLC, HLC, Global
Noise Reduction	2D DNR
Language	English
Function	Brightness, Contrast, Mirror, Smart IR, Sharpness, Saturation
Interface	
Video Output	Switchable TVI/AHD/CVI/CVBS
General	
IR Range	Up to 40 m
Operating Conditions	-40°C to 60°C (-40°F to 140°F), Humidity: 90% or less (non-condensing)
Power Supply	12 VDC ± 15%
Consumption	Max. 5 W
Protection Level	IP67
Material	Front cover: Metal, Main body: Plastic
Communication	HIKVISION-C
Dimension	84.5 mm × 92 mm × 255.1 mm (3.33" × 3.62" × 10.04")
Weight	Approx. 682 g (1.50 lb.)

▪ Available Model

DS-2CE79D0T-VFIT3F(C)

▪ **Dimension**



▪ **Accessory**

▪ **Optional**

DS-1273ZJ-130-TRL Wall Mount	DS-1280ZJ-M Junction Box	DS-1281ZJ-M Inclined Ceiling Mount
