

## FD600-111G-HZ660EPON ONU



### Overview

FD600-111G-HZ660 EPON ONU is one of the EPON optical network unit design to meet the requirement of the broadband access network. It apply in FTTH/FTTO to provide the data and video service based on the EPON network.

EPON is the latest generations of access network technology. IEEE802.3ah is the standard protocol of EPON. The EPON standard differs from other PON standards in that it achieves higher bandwidth and higher efficiency using larger, variable-length packets. EPON offers efficient packaging of user traffic, with frame segmentation allowing higher quality of service (QOS) for delay-sensitive voice and video communications traffic. EPON networks provides the reliability and performance expected for business services and provides an attractive way to deliver residential services. EPON enables Fiber To The Home (FTTH) deployments economically resulting to accelerated growth worldwide.

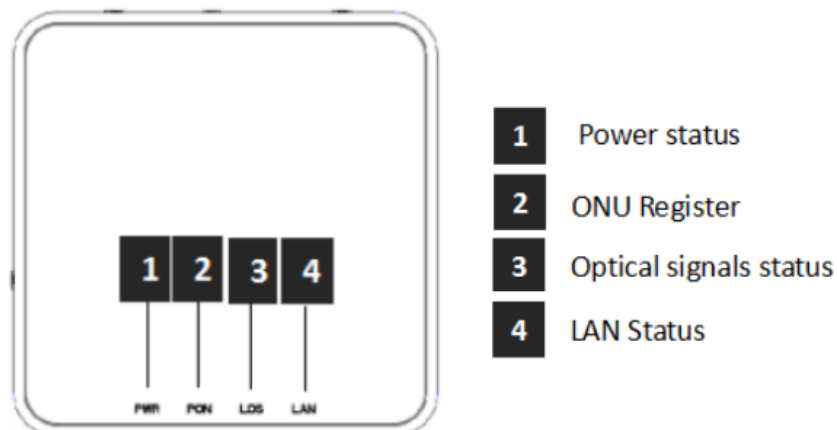
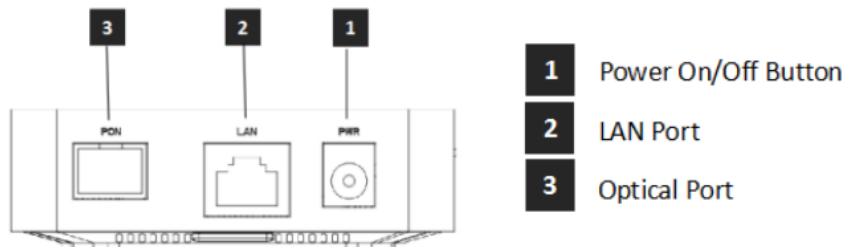
FD600-111G-HZ660 is based on ZTE high-performance xPON access chip. The chip supposes three mode: GPON/EPON/P2P, comply with the GPON standard of g.984, g.983,802.3-2005, CTC EPON equipment technical requirements, have good xPON interoperability compatibility.

FD600-111G-HZ660 provides one GE auto-adapting Ethernet ports. The FD600-111G-HZ660 features high-performance forwarding capabilities to ensure excellent experience with Internet and HD video services. Therefore, the FD600-111G-HZ660 provides a perfect terminal solution and future-oriented service supporting capabilities for FTTH deployment. It has good third-party compatibility to work with the third party OLT, such as Huawei/ZTE/Fiberhome/Alcatel-Lucen.

## Features

- Full compatible with IEEE802.3ah
- Support port-based rate limitation and bandwidth control;
- In compliant with IEEE802.3ah Standard
- Up to 20KM transmission Distance
- Support data encryption, group broadcasting, port Vlan separation ,etc.
- Support Dynamic Bandwidth Allocation (DBA)
- Support ONU auto-discovery/Link detection/remote upgrade of software;
- Support VLAN division and user separation to avoid broadcast storm;
- Support power-off alarm function ,easy for link problem detection
- Support broadcasting storm resistance function
- Support port isolation between different ports
- Support three layer routing functions
- Support ACL and SNMP to configure data packet filter flexibly
- Specialized design for system breakdown prevention to maintain stable system
- Support software online upgrading
- EMS network management based on SNMP ,convenient for maintenance

## Product interface and LED definitions



Indicator			Description
4	LAN	LAN port status	On: Ethernet connection is normal; Blinking: Data is being transmitted through the Ethernet port; Off: Ethernet connection is not set up;
3	LOS	EPON optical signals	On: Optical power lower than receiver sensitivity ; Off: Optical in normal
2	PON	ONU Register	On: Success to register to OLT; Blinking: In process of registering to OLT; Off: In process of registering to OLT;
1	PWR	Power status	On: The ONT is power on; Off: The ONT is Power off;

## Specification

Item	Parameters	Specification
Interface	PON Port	1 EPON optical interface Meet 1000BASE-PX20+ standard Symmetric 1.25Gbps upstream/downstream SC single-mode fiber split ratio: 1:64 Transmission distance 20KM
	Ethernet Port(LAN)	1*GE Auto-negotiation RJ45 ports Full Duplex / Half-Duplex RJ45, Auto-MDI/MDI-X Transmission Distance 100 Meter
	Power Supply Port	12V DC input
Management	NetworkManagement	Support IEEE802.3 QAM, ONU can be remotely managed by OLT Support Remote management through SNMP and Telnet Local management
	Management Function	Status monitor, Configuration management, Alarm management, Log management
Environmental Specifications	Shell	Plastic casing
	Power	External 12V 0.5A AC/DC power supply adapter Power consumption: <3W
	Dimensions	78mm(L) x78mm(W) x25mm (H) 0.1kg
	Environment	Operating Temperature: 0~50℃ StorageTemperature: -40~85℃ Operating Humidity: 10%~90%(Non-condensing) StorageHumidity: 5%~95%(Non-condensing)

## Application

- ◇ Solution: FTTH
- ◇ Business: Broadband Internet、IPTV、VOD、IP Camera

## Network Construction



Figure: FD600-111G-HZ660 Application Diagram

## Ordering information

Product Name	Product Model	Descriptions
SFU Type EPON ONU	FD600-111G-HZ660	1*GE Ethernet interface, 1 EPON interface, plastic casing, external power supply adapter